

How to add new WBOX IP Cameras to an old WBOX NVR?

This article outlines the steps in adding a new WBOX IP Camera to an old WBOX NVR. This can also set as a guide in adding the new WBOX IP cameras to other brands of NVR.

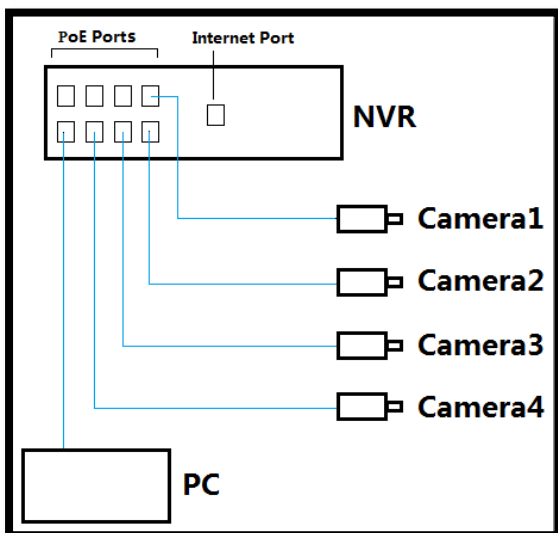
There are two methods that can use to add the IPC to the NVR:

1. The cameras are physical connected to the POE ports of the NVR
2. The cameras are connected to a POE switch or a router.

The cameras are physical connected to the POE ports of the NVR

Procedures:

1. Connect the cameras and laptop/PC to the POE ports at the back panel of the NVR (not the LAN/Internet port). See image below.



2. Make sure that the cameras' IP addresses and the Internal NIC IPv4 address of the NVR are on the same IP address range. First, check the Internal NIC IPv4 address on the NVR. [Menu > Home > Network](#)

Network	
NIC Type	10M/100M/1000M Self-adaptive
Enable DHCP	<input type="checkbox"/>
IPv4 Address	192 . 168 . 1 . 5
IPv4 Subnet Mask	255 . 255 . 255 . 0
IPv4 Default Gateway	192 . 168 . 1 . 1
Preferred DNS Server	8.8.8.8
Alternate DNS Server	8.8.4.4
Internal NIC IPv4 Address	192 . 168 . 254 . 1

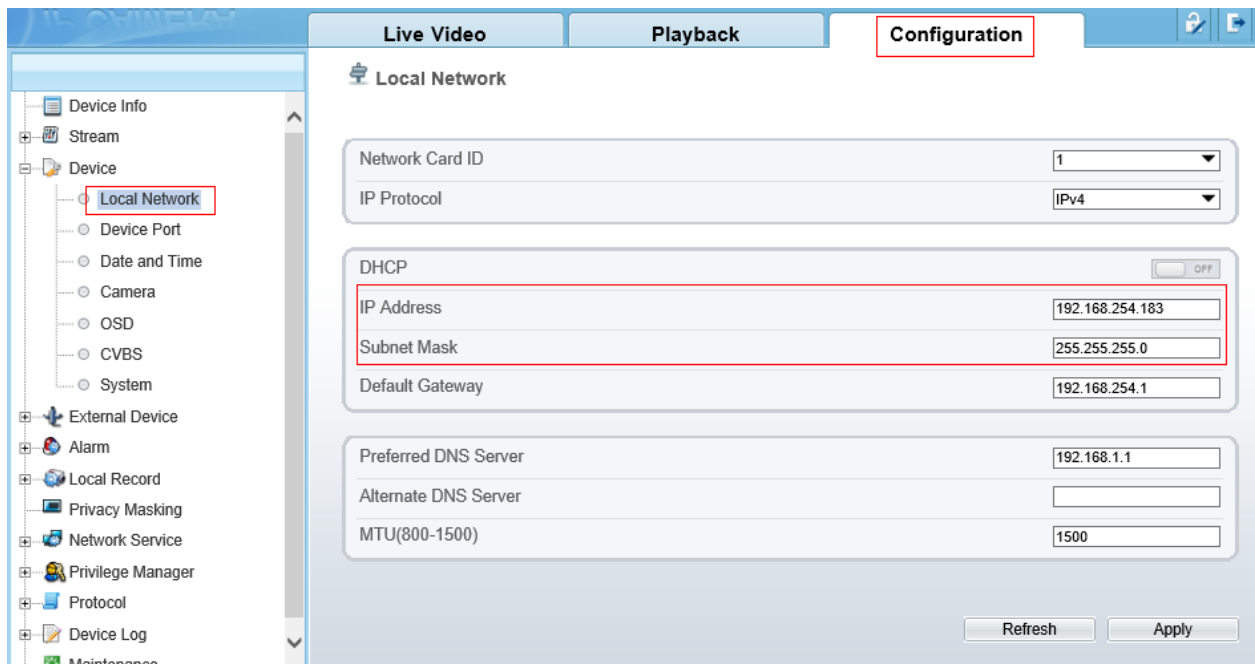
For example:

- The Internal NIC IPv4 Address of the NVR is **192.168.254.1** and subnet mask is **255.255.255.0**.
- Then, cameras' IP addresses should be changed to **192.168.254.x** and **255.255.255.0** accordingly.

3. You can change the IP address of the camera using a web browser or the IP Search Tool.

WEB BROWSER

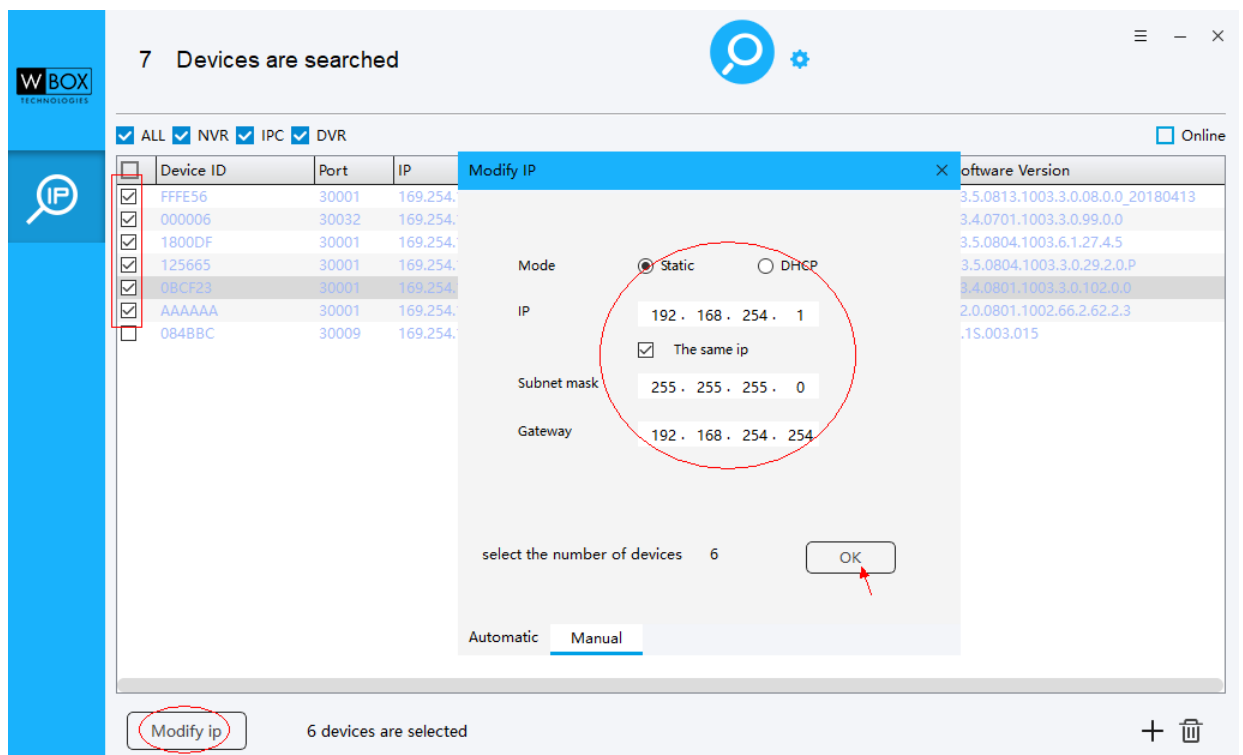
- [1] Log in to each camera's web UI using a web browser. The default IP address is 192.168.1.64.
- [2] Go to **Configuration > Local Network**
- [3] Change the **IP Address** to the same IP range as the Internal NIC IPV4 address of the NVR.
- [4] Subnet mask is 255.255.255.0



IP Search Tool

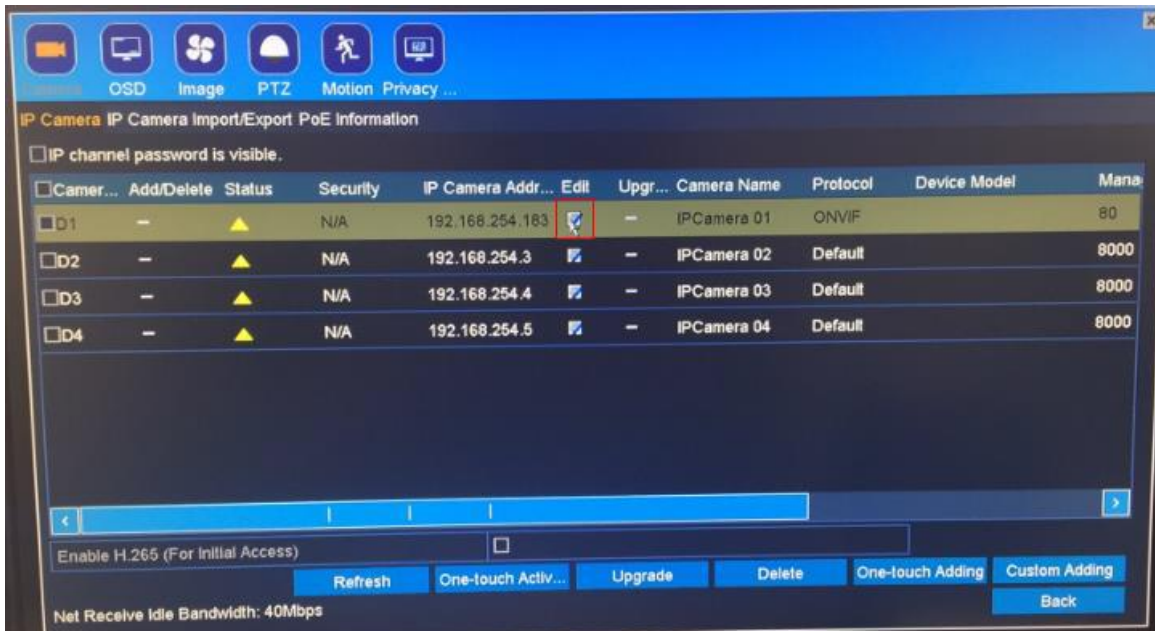
- You can download the IP Search Tool here:
https://www.wboxtech.com/content/files/product_categories/ip_new_models/IP_Search_Tool.zip
- <https://drive.google.com/open?id=1gtNySOFRRbAT0K1v1LC2-JKhh7jfcEQ->

The IP Search Tool can modify the IP addresses of the cameras by batch. For example, in the picture below, the six cameras' IP addresses will be changed to 192.168.254.1 to 192.168.254.6 in order.

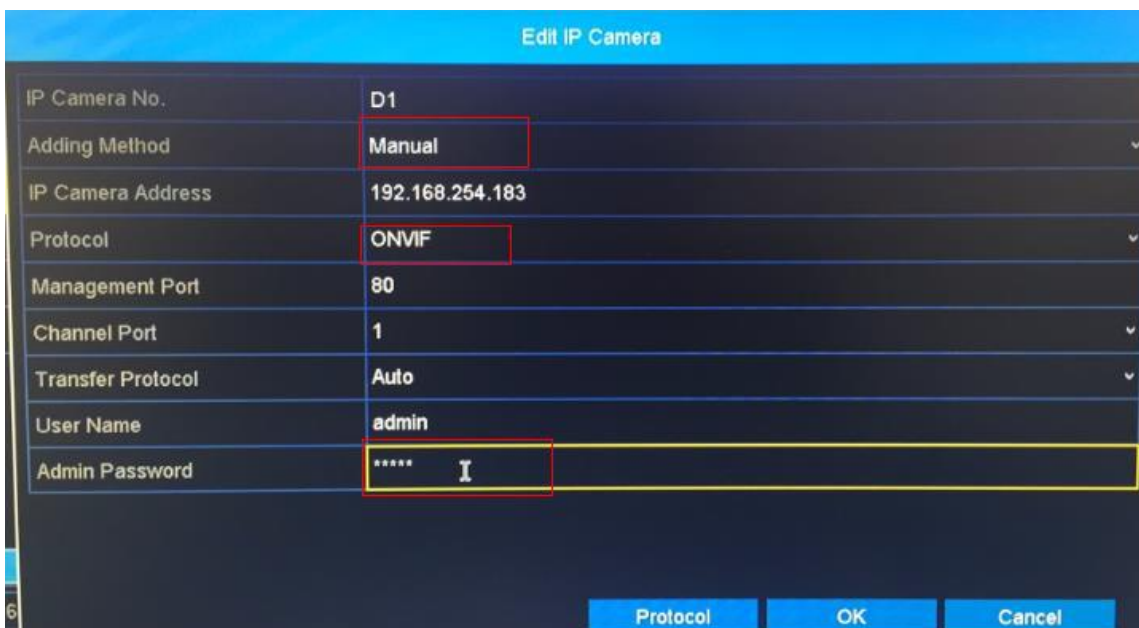


- On the **IP Search Tool**, tick the cameras that you would like to modify.
- Click **Modify IP**.
- Choose **Static IP**.
- On the **IP** field, input the IP address following the IP address range of the Internal NIC address of the NVR.
- On **Subnet mask**, input 255.255.255.0
- On the **Gateway**, input the Internal NIC address of the NVR.
- Click **OK**.

4. Log in to the NVR's interface. Go to **Menu > Camera > Camera**.
5. Select **Edit**.

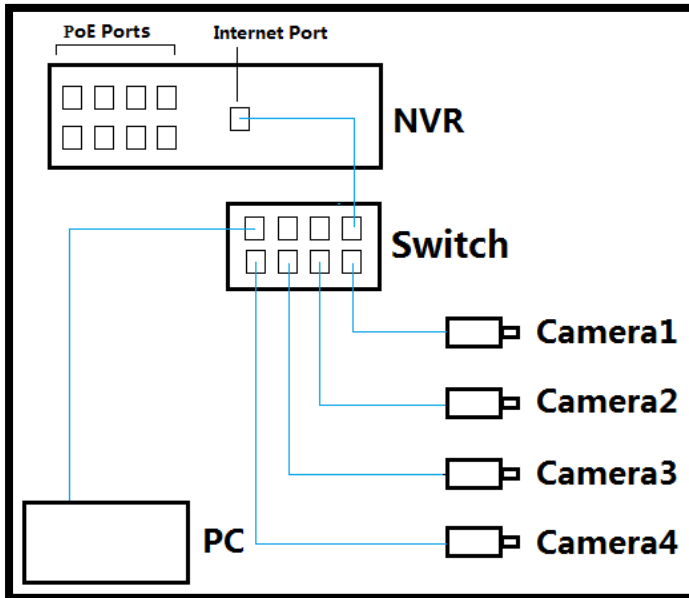


6. Input the following information correctly.
 - Adding Method: **Manual**
 - IP Address: **IP address of the camera**
 - Protocol: **ONVIF**
 - Management Port: **80**
 - User Name: **username of the camera**
 - Admin password: **password of the camera**

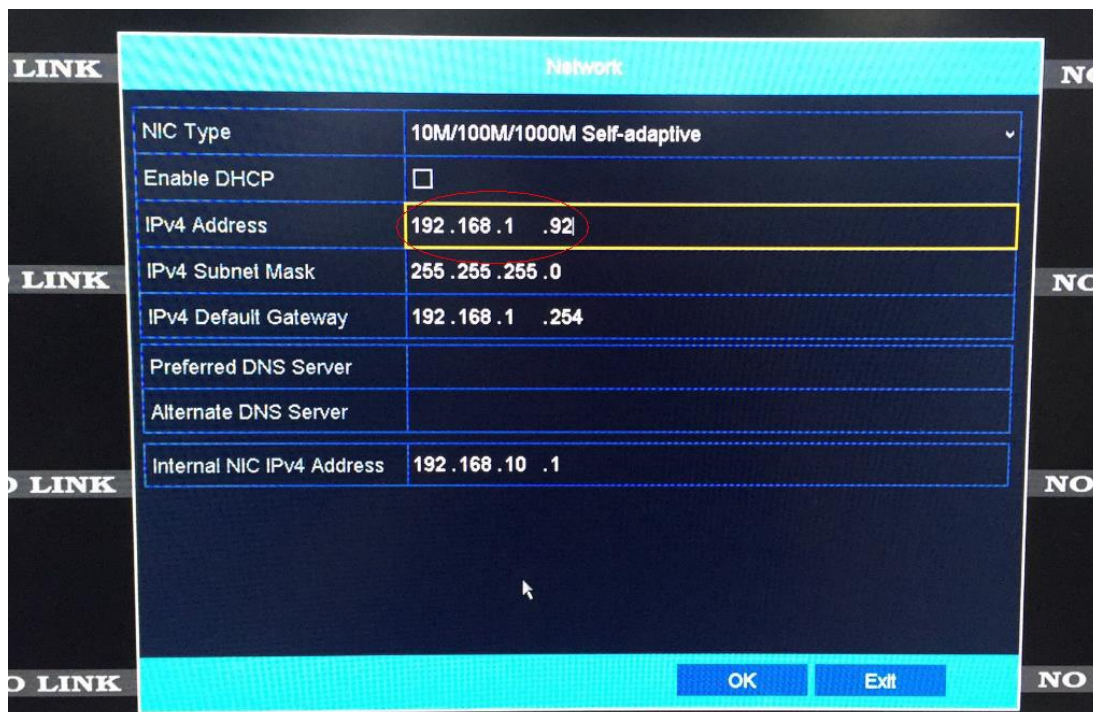


The cameras are connected to a POE switch or a router

1. Connect the cameras to a POE switch or to a router (if you have a separate power supply for the cameras). Make sure that the NVR is also connected to the same router as the POE switch or the cameras.



2. Make sure that the cameras and the NVR follows the IP range of the router. Check the IPv4 address of the NVR. [Menu > Home > Network](#)



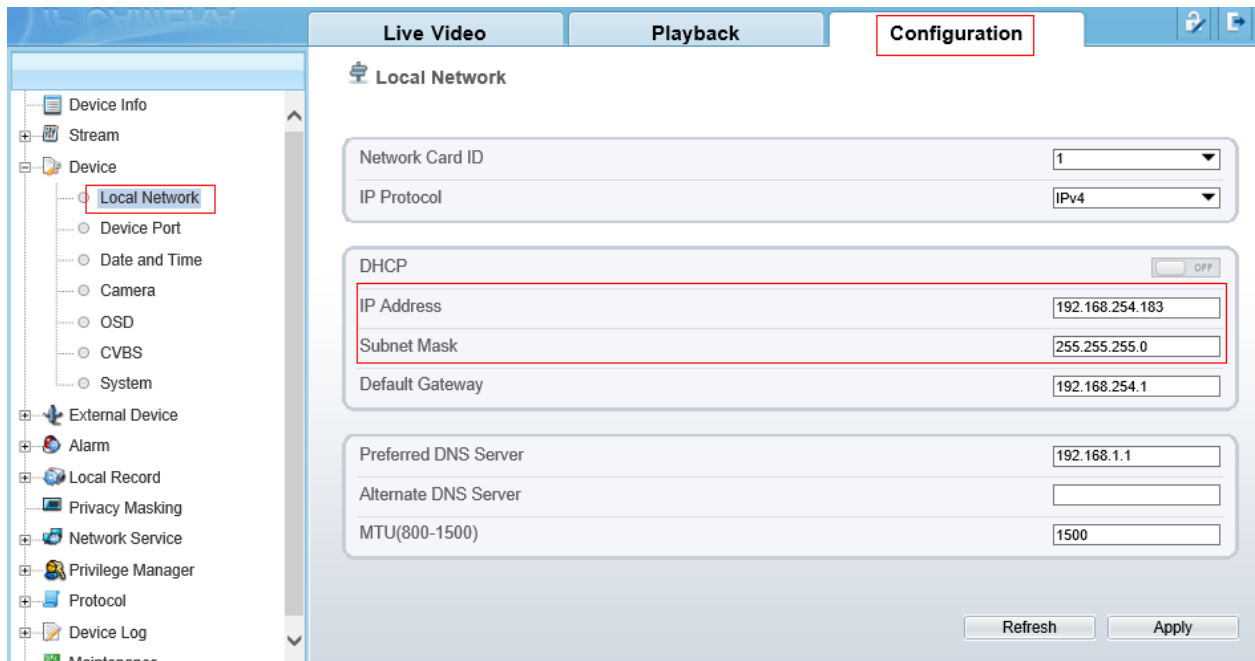
For example:

- The router's default gateway is **192.168.1.254** and subnet mask is **255.255.255.0**.
- The NVRs IPv4 address is **192.168.1.92** and subnet mask is **255.255.255.0**.
- Then, cameras' IP addresses should be changed to **192.168.1.x** and **255.255.255.0** accordingly.

7. You can change the IP address of the cameras using a web browser or the IP Search Tool.

WEB BROWSER

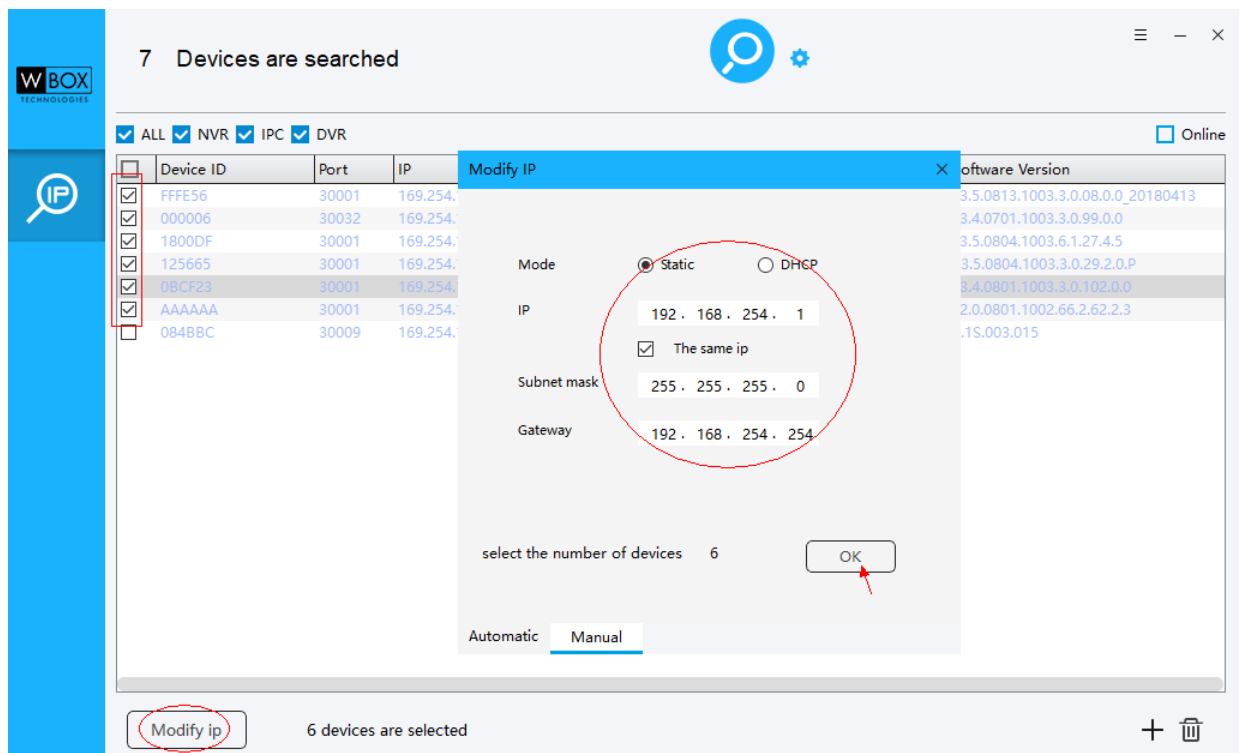
- [1] Log in to the camera's web UI using a web browser. The default IP address is 192.168.1.64.
- [2] Go to **Configuration > Local Network**
- [3] Change the **IP Address** to the same IP range as IPV4 address of the NVR and the router's default gateway.
- [4] Subnet mask is 255.255.255.0



IP Search Tool

- You can download the IP Search Tool here:
https://www.wboxtech.com/content/files/product_categories/ip_new_models/IP_Search_Tool.zip
- <https://drive.google.com/open?id=1gtNySOFRRbAT0K1v1LC2-JKhh7jfcEQ->

The IP Search Tool can modify the IP addresses of the cameras by batch. For example, in the picture below, the six cameras' IP addresses will be changed to 192.168.254.1 to 192.168.254.6 in order.



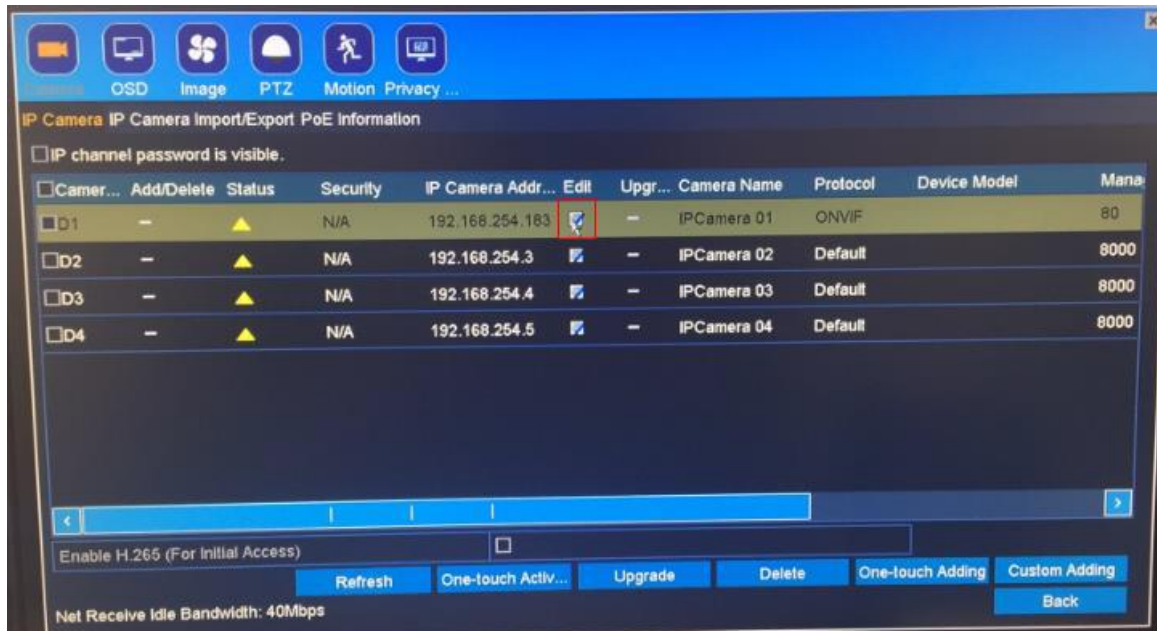
The screenshot shows the IP Search Tool interface. At the top, it says "7 Devices are searched". Below this, there are filters for "ALL", "NVR", "IPC", and "DVR", all of which are checked. A table lists the devices with columns for "Device ID", "Port", "IP", and "software Version". The first six rows are selected, and their IP addresses are 169.254.x.y. A "Modify IP" dialog box is open, showing the following settings:

- Mode: Static, DHCP
- IP: 192 . 168 . 254 . 1
- The same ip
- Subnet mask: 255 . 255 . 255 . 0
- Gateway: 192 . 168 . 254 . 254
- select the number of devices: 6
- Buttons: OK, Automatic, Manual

At the bottom of the interface, a "Modify ip" button is circled in red, and it says "6 devices are selected".

- On the **IP Search Tool**, tick the cameras that you would like to modify.
- Click **Modify IP**.
- Choose **Static IP**.
- On the **IP** field, input the IP address following the IP address range of the router's default gateway and the IPV4 Address of the NVR.
- On **Subnet mask**, input 255.255.255.0
- On the **Gateway**, default gateway of the router.
- Click **OK**.

8. Log in to the NVR's interface. Go to **Menu > Camera > Camera**
9. Select **Edit**.



10. Input the following information correctly.
 - Adding Method: **Manual**
 - IP Address: **IP address of the camera**
 - Protocol: **ONVIF**
 - Management Port: **80**
 - User Name: **username of the camera**
 - Admin password: **password of the camera**

