

Instructions for 0E-STROBERPA/B/C/R

Rainproof Strobe

Application:

The W Box 0E-STROBERPA/B/C/R strobe is the lowest current consumption, rainproof and weather resistant strobe in its class. It operates on 12VDC and draws just 108mA. Its high impact resistant lens stands up to normal wear and abuse. The strobe is rated at 62,000 candle power and has an operating life of 50,000 hours of continuous operation, which is 250 times that of similar models.

0E-STROBERPA/B/C/R can be mounted on a bell box or other enclosure, including W Box model 0E-STSTSIREN, or mounted directly to wood or other surface. Two bolts, two nuts and two wood screws are provided. An adhesive mounting gasket is provided to enhance waterproofing. A rubber ring seals the lens with the base.

Four lens colors are available:

Amber	(model 0E-STROBERPA)
Blue	(model 0E-STROBERPB)
Clear	(model 0E-STROBERPC)
Red	(model 0E-STROBERPR)

Product specifications:

- Voltage input: 12VDC (9.6 - 14.4)
- Current draw: 108mA
- Strobe output: 62,000 candle power
- Flash rate: 60-100 per minute
- Wire type: Two 20AWG UL listed wire leads, stranded with ends stripped and tinned
- Housing: High impact resistant thermoplastic
- Operating temperature: -4°F to 140°F (-20°C to 60°C)
- Relative humidity: 95%
- Dimensions: 3.54 diameter X 3.05"H (90mm dia. X 77mmH)
- Lens colors available: Amber (0E-STROBERPA), Blue (0E-STROBERPB), Clear (0E-STROBERPC), Red (0E-STROBERPR)

Wiring:

Connect red wire to positive 12VDC (+) and black wire to negative (-). Observe polarity at all times.

Reverse polarity protection is provided, but polarity should still be observed at all times.

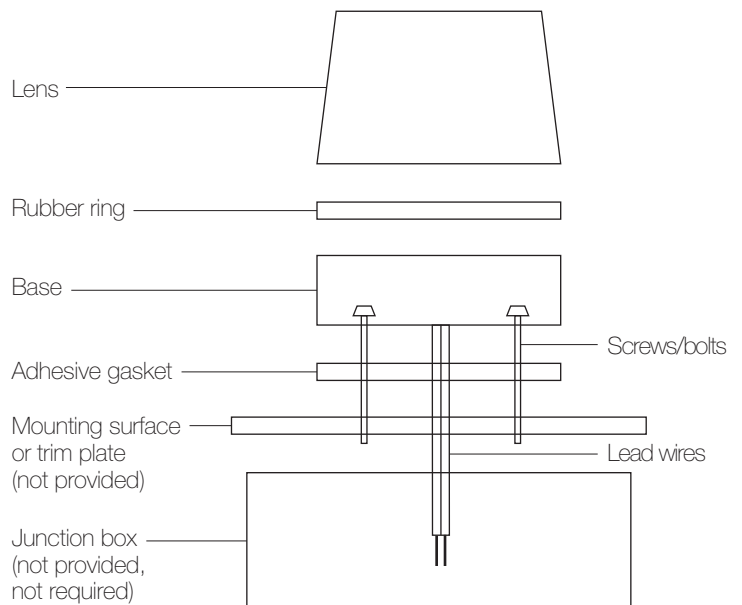
Installation:

- 1) Remove lens from base by firmly rotating counter-clockwise. Be certain to retain rubber ring which seals lens with base.
- 2) Use knockout holes on base to mount base directly to a bell box or other enclosure, including W Box model 0E-STSTSIREN, or to mount directly to wood or other surface. The inner holes align with the mounting holes on the top of W Box model 0E-STSTSIREN and other enclosures. The outer knockout holes can be used to mount to a trim plate that fits a double gang junction box or to a surface of any type. Any of the knockout holes can be used for direct mounting to wood or other surface. Two bolts, two nuts and two wood screws are provided for convenience.
- 3) Connect wires per wiring instructions.
- 4) Making certain rubber ring is in place first, replace lens on base by turning clockwise. Be certain to rotate lens fully so lens is locked in place.

For rain-proof installation, install the adhesive gasket provided between base and the surface it is being mounted to.

Avoid excessive removal and replacement of lens as repetition may cause wear on rubber ring and degrade sealing performance.

NOTE: There is no danger of shock from a high voltage charge while hadling because this model does not utilize components that store high voltage charges.



RAINPROOF STROBE

