

OE-COMSMOKE Series



Model OE-COMSMOKED Photoelectric Smoke Detector

SPECIFICATIONS

Table with 2 columns: Specification Name and Value. Includes Diameter, Height, Weight, Operating Temperature Range, Operating Humidity Range, Operating voltage, Standby Current, Alarm Current, Alarm Contact Ratings, Latching Alarm, and Alarm Reset Time.

Before installing and using the product, please read the system wiring and installation manual thoroughly. If the products are installed in an existing operational system, inform the operator and local authority that the system will be temporarily out of service, disconnect power to the control panel before installing the products.

NOTICE: This manual should be left with the owner/user of this equipment.

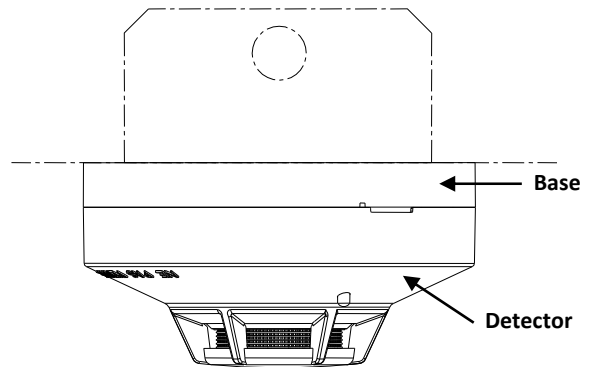
GENERAL DESCRIPTION

The OE-COMSMOKED is 4-wire photoelectric smoke detector. This detector is designed to provide open area protection and to be used with compatible UL/ULC listed control panels only. Two LEDs on each detector provide local 360° visible alarm indication. They flash every five seconds indicating that power is applied and the detector is working properly. The LEDs latch on in alarm. LEDs will be off when a trouble condition exists indicating that the detector sensitivity is outside the listed limit. The alarm can be reset only by a momentary power interruption. The OE-COMSMOKEB plug-in detector base is used with W Box Technologies smoke detector (OE-COMESMOKED). The OE-COMSMOKEB base is intended for use in 4-wire systems, with screw terminals provided for power and relay output connections.

MOUNTING

Each OE-COMSMOKED detector is used with a mounting base (OE-COMSMOKEB) that permits the detector to be mounted directly to a 1.97 or 2.36 inches (50 or 60mm) junction box as Figure 1 illustrates.

FIGURE1: SURFACE MOUNTING OF OE-COMSMOKED SMOKE DETECTOR ON 1.97/2.36 inches (50/60MM) JUNCTION BOX



NOTE: All wiring must conform to applicable local codes, ordinances, and regulations. Verify that all detector bases are installed, that the initiating-device circuits have been tested, and that the wiring is correct. (Refer to detector base manual for testing procedure.)

- 1. Install detectors:
a. Place the detector into the detector base.
b. Turn the detector clockwise until the detector drops into place.
c. Continue turning detector clockwise to lock it in place.
2. Tamper Resistance: The detector base can be made tamper resistant. For further instruction on how to make the detector tamper resistant see pg 2 for instructions.
3. When capability is enabled, detectors cannot be removed from the base without the use of a tool. See the detector base installation manual for details.
4. After all detectors have been installed, apply power to the control unit.
5. Test the detector as described under TESTING.
6. Reset the detector at the system control panel.
7. Notify the proper authorities that the system is back on line.



Remove power from initiating-device circuits before installing detectors.

TESTING

Before testing, notify the proper authorities that the smoke detector system is undergoing maintenance and will temporarily be out of service. Disable the zone or system undergoing maintenance to prevent unwanted alarms. Detectors must be tested after installation and as part of periodic maintenance.

Test OE-COMSMOKED as follows:

NOTE: Before testing the detector, check to ensure the LEDs blink. If the LEDs do not blink, the detector has either lost power (check the wiring), is defective (return for replacement if within the warranty time period), or the detector sensitivity is outside of the listed limits.

SMOKE ENTRY TEST

Hold a smoldering punk stick or cotton wick at the side of the detector and gently blow smoke through the detector until the unit alarms. Smoke detection testing is recommended for verifying system Protection capability.

A detector that fails these tests should first be cleaned as outlined in the Maintenance section. If the detector still fails, returned for a replacement unit (if within warranty time period). Notify the proper authorities the system is back on line.



Dust covers are an effective way to limit the entry of dust into smoke detector sensing chambers. However, they may not completely prevent airborne dust particles from entering the detector. Therefore, W Box Technologies recommends the removal of detectors before beginning construction or other dust producing activity. Be sure to remove the dust covers from any sensors that were left in place during construction to ensure the system returns to normal service

Note: Please dispose electronic waste following national or local regulations after being scrapped or replaced.

MAINTENANCE

1. Remove the detector from the mounting base by rotating it counter-clockwise.
2. Remove the detector cover.
3. Vacuum the cover carefully.
4. Remove the sensing chamber cover (see figure 3).
Replace the sensing chamber cover by aligning the two holes on the cover with the two posts on the chamber.
5. Attach the cover.
6. Reinstall the detector.
7. Test the detector as described in the Testing Section.
8. Notify the proper authorities the system is back in operation.

FIGURE 2. BOTTOM AND SIDE VIEWS

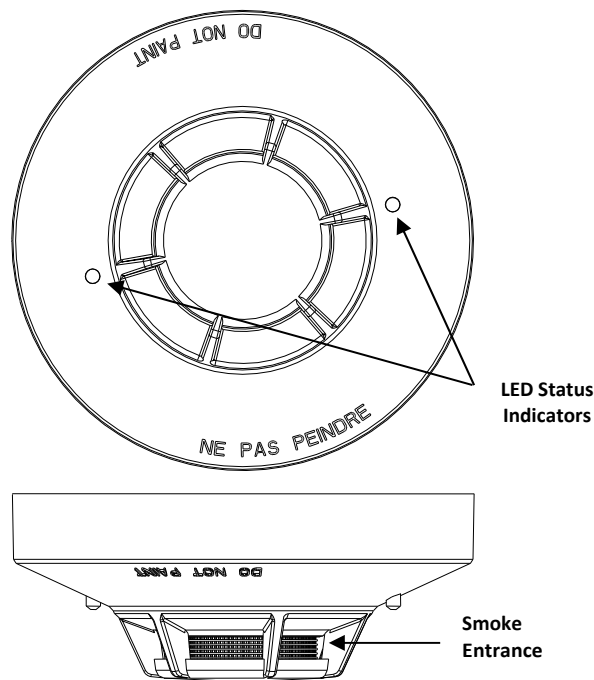
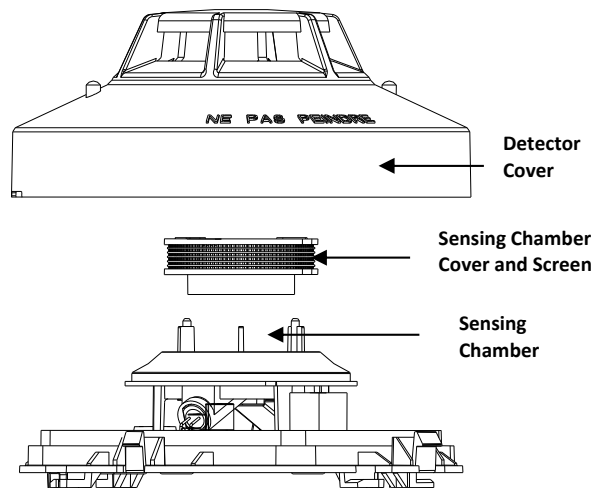


FIGURE 3: REMOVAL OF COVER FOR CLEANING



Model 0E-COMSMOKEB Plug-in Detector Base

SPECIFICATIONS

Diameter:	4.04 inches (102 mm)
Height :	0.65 inches (16 mm)
Weight:	1.34oz. (38g)
Operating Temperature Range:	32 ~ 120°F (0 ~ 49°C)
Operating Humidity Range:	10% ~ 93% Relative Humidity non-condensing
Electrical Ratings — includes base and detector	
System Voltage–Nominal:	12/24VDC
Min.:	8.5 VDC
Max.:	35VDC
Max. Ripple Voltage:	30% peak to peak of applied voltage
Standby Ratings:	90µA average
Alarm Ratings:	36mA @ 24VDC
Alarm Contact Ratings:	0.5 Amp @ 30 V AC/DC
Reset Voltage:	2.5 VDC Minimum
Reset Time:	0.3 Seconds Maximum
Start-up Time:	35 Seconds Maximum

Before installing and using the product, please read the system wiring and installation manual thoroughly. If the products are installed in an existing operational system, inform the operator and local authority that the system will be temporarily out of service, disconnect power to the control panel before installing the products. **NOTICE:** This manual should be left with the owner/user of this equipment.

GENERAL DESCRIPTION

This 0E-COMSMOKEB plug-in detector base is used with W Box smoke detector. The 0E-COMSMOKEB base is intended for use in 4-wire systems, with screw terminals provided for power and relay output connections.

MOUNTING

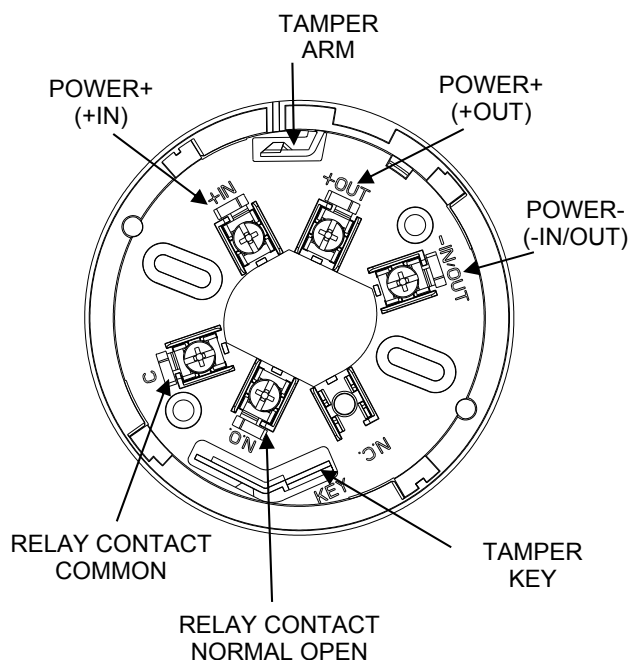
The W Box Technologies detector base mounts to typical junction boxes. Attach the base to the box using the screws supplied with the junction box.

INSTALLATION AND WIRING GUIDELINES

All wiring must be installed in compliance with applicable codes and the authority having jurisdiction. Proper wire gauges should be used. The conductors used to connect smoke detectors to control panels and accessory devices should be color-coded to reduce the likelihood of wiring errors. Improper connections can prevent a system from responding properly in the event of a fire. For signal wiring (the wiring to +IN, +OUT and -IN/OUT), it is recommended that the wiring be no smaller than 18 AWG (0.0013 square inch / 0.823 square mm). Wire sizes up to 12 AWG (0.0051 square inch / 3.31 square mm) may be used with the base. For best system performance, the wires should be twisted pair and installed in separate grounded conduit to protect the loop from extraneous electrical interference.

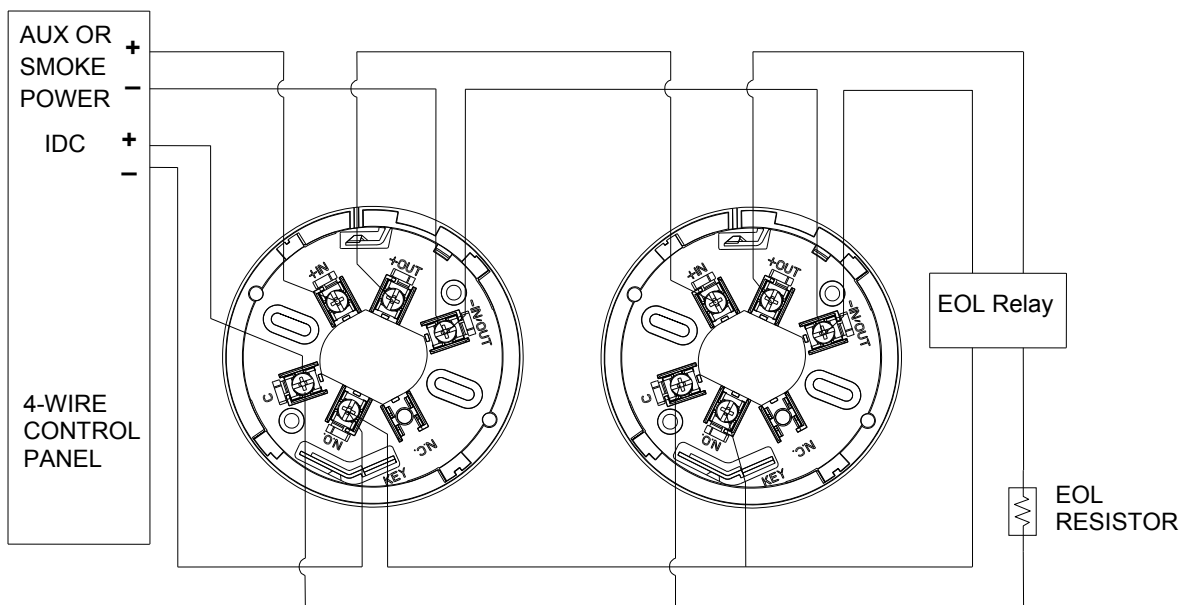
Wire connections are made by stripping about 3/8" of insulation from the end of the wire (use strip gauge molded in base), sliding the bare end of the wire under the clamping plate, and tightening the clamping plate screw. Two-wire initiating devices receive their power from the initiating circuit of a control panel. Electrical specifications of the control panel and the detector base combination must be compatible for the system to function properly. Once all detector bases have been wired and mounted, and the loop wiring has been checked, the detector heads may be installed into the base.

FIGURE 4: TERMINAL LAYOUT



Do not loop wire under terminals. Break wire run to ensure supervision of connections.

FIGURE 5: WIRING DIAGRAM

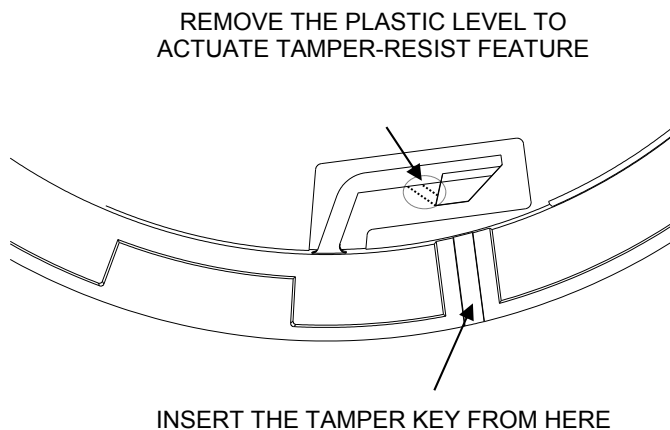


TAMPER-RESISTANT FEATURE

This detector includes a tamper-resistant feature that prevents its removal from the mounting base without the use of a key. To make the detector tamper-resistant, remove the tab from the tamper arm on the mounting base using a cutting tool. Remove the tamper key from the center of the mounting base (see Figure 6) by twisting it back and forth several times. Once the detector is installed, it may be removed from the mounting base by inserting the T-shaped end of the key into the slot on the side of the unit and rotating the detector counter-clockwise.

Note: Please dispose electronic waste following national or local regulations after being scrapped or replaced.

FIGURE 6: TAMPER-RESISTANCE FEATURE



Limited Warranty

1. Limited Warranty

a. General

Subject to the terms and conditions of this Limited Warranty, from the date of sale through the period of time for product categories specified in Section 1(b), ADI warrants its WBox Technologies products to be free from defects in materials and workmanship under normal use and service, normal wear and tear excepted. Except as required by law, this Limited Warranty is only made to Buyer and may not be transferred to any third party.

ADI shall have no obligation under this Limited Warranty or otherwise if:

- (i) The product is improperly installed, applied or maintained;
- (ii) The product is installed outside of stated operating parameters, altered, or improperly serviced or repaired;
- (iii) Damage is caused by outside natural occurrences, such as lightning, power surges, fire, floods, acts of nature, or the like.
- (iv) Defects resulting from unauthorized modification, misuse, vandalism, or other causes unrelated to defective materials or workmanship, or failures related to batteries of any type used in connection with the products sold hereunder.

ADI only warrants those products branded as WBox Technologies products and sold by ADI. Any other products branded by third parties are warranted by the third party manufacturer for a period as defined by the third party manufacturer, and ADI assigns to Buyer those warranties and only those warranties extended by such third party manufacturers or vendors for non-ADI branded products. ADI does not itself warrant any non-ADI branded product and sells only on an as is basis in accordance with ADI's terms and conditions of sale.

b. Specific Warranties for product categories are as follows:

Product Categories	Warranty Period
Soundbars	12 months
Walk Through Metal Detectors	12 months
Intrusion Wireless Communication Accessories	12 months
Analog Cameras	24 months
Hand Held Metal Detectors	24 months
HD TVI Cameras and HD TVI DVR's	24 months
Televisions	24 months
CCTV Power Supplies	24 months
In Ceiling Speakers	24 months
Amplifiers	24 months
Magnetic Locks	24 months
Request to Exit Devices	24 months
Surge Protection	24 months
UPS (uninterruptible power supplies)	24 months
Volume Controls	24 months
HDMI Distribution	24 months
6 Outlet Surge Protection	24 Months
Intrusion Audio Devices	30 months
Monitors	30 months
Power and Relays	30 months
Hold-up Buttons	30 months
Video Baluns	30 months
Smoke Detectors	36 months
DVR's, NVR's	60 Months
IP Cameras	60 Months
Racks	60 months
TV Mounts	60 months
PIR's	60 months
Analog Cables	Limited Lifetime
B Connectors	Limited Lifetime
Bus Terminals	Limited Lifetime
Extension Cords	Limited Lifetime

HDMI Cables	Limited Lifetime
Jacks, Cords and Intrusion Communication Accessories	Limited Lifetime
Patch Cables	Limited Lifetime
Patch Panels	Limited Lifetime
Raceway Conduit	Limited Lifetime
Wire Ties	Limited Lifetime
Magnetic Contacts	Limited Lifetime

2. EXCLUSION OF WARRANTIES, LIMITATION OF LIABILITY

THERE ARE NO WARRANTIES OR CONDITIONS, EXPRESS OR IMPLIED, OF MERCHANTABILITY, OR FITNESS FOR A PARTICULAR PURPOSE OR OTHERWISE, WHICH EXTEND BEYOND THE DESCRIPTION ON THE FACE HEREOF. TO THE FULLEST EXTENT PERMITTED BY LAW, IN NO CASE SHALL ADI BE LIABLE TO ANYONE FOR ANY (I) CONSEQUENTIAL, INCIDENTAL, INDIRECT, SPECIAL, OR PUNITIVE DAMAGES ARISING OUT OF OR RELATING IN ANY WAY TO THE PRODUCT AND/OR FOR BREACH OF THIS OR ANY OTHER WARRANTY OR CONDITION, EXPRESS OR IMPLIED, OR UPON ANY OTHER BASIS OF LIABILITY WHATSOEVER, EVEN IF THE LOSS OR DAMAGE IS CAUSED BY ADI'S OWN NEGLIGENCE OR FAULT AND EVEN IF ADI HAS BEEN ADVISED OF THE POSSIBILITY OF SUCH LOSSES OR DAMAGES. Any product description (whether in writing or made orally by ADI or ADI's agents), specifications, samples, models, bulletin, drawings, diagrams, engineering sheets, or similar materials used in connection with the Buyer's order are for the sole purpose of identifying ADI's products and shall not be construed as an express warranty or condition. Any suggestions by ADI or ADI's agents regarding use, applications or suitability of the products shall not be construed as an express warranty or condition unless confirmed to be such in writing by ADI. ADI does not represent that the products it sells may not be compromised or circumvented; that the products will prevent any personal injury or property loss by burglary, robbery, fire or otherwise, or that the products will in all cases provide adequate warning or protection. Buyer understands and will cause its customer to understand that a properly installed and maintained product is not insurance or guarantee that such will not cause or lead to personal injury or property loss. CONSEQUENTLY ADI SHALL HAVE NO LIABILITY FOR ANY PERSONAL INJURY, PROPERTY DAMAGE OR OTHER LOSS BASED ON ANY CLAIM AT ALL INCLUDING A CLAIM THAT THE PRODUCT FAILED TO GIVE WARNING. However, if ADI is held liable whether directly or indirectly for any loss or damage with respect to the products it sells, regardless of cause or origin, its maximum liability shall not in any case exceed the purchase price of the product, which shall be fixed as liquidated damages and not as a penalty and shall be the complete and exclusive remedy against ADI.

3. Limitation on Liability to Buyer's Customers.

Buyer agrees to limit liability to its customers to the fullest extent permitted by law. Buyer acknowledges that ADI shall only be deemed to give consumers of its products such statutory warranties as may be required by law and at no time shall Buyer represent to its customers and/or users of ADI products that ADI provides any additional warranties. By accepting the products, to the fullest extent permitted by law, Buyer assumes all liability for, and agrees to indemnify and hold ADI harmless against and defend ADI from, any and all suits, claims, demands, causes of action and judgments relating to damages, whether for personal injury or to personal property, suffered by any person, firm, corporation or business association, including but not limited to, Buyer's customers and/or users of the products because of any failure of the products to detect and/or warn of the danger for which the goods were designed or any other failure of the products whether or not such damages are caused or contributed to by the sold or joint concurring negligence or fault of ADI.

4. Returns

Subject to the terms and conditions listed below, during the applicable warranty period, ADI will replace Product or provide a credit at purchase at its sole option free of charge any defective products returned prepaid. Any obligations of ADI to replace Limited Lifetime warranty products pursuant to this warranty which result from defect are limited to the availability of replacement product. ADI reserves the right to replace any such products with the then currently available products, or provide a credit in its sole discretion. In the event Buyer has a problem with any ADI product, please call your local ADI branch for return instructions:

For US call 1-800-233-6261

For Canada call 877-234-7378

For Puerto Rico call 787-793-8830

Be sure to have the model number and the nature of the problem available. In the event of replacement, the return product will be credited to Buyer's account and a new invoice issued for the replacement item. ADI reserves the right to issue a credit only in lieu of replacement.

If any WBox Technologies product is found to be in good working order or such product's inability to function properly is a result of user damage or abuse, the product will be returned to Buyer in the same condition as received and Buyer shall be responsible for any return freight charges.

5. Governing Law

The laws of State of New York apply to this Limited Warranty.

6. Miscellaneous

Where any term of this Limited Warranty is prohibited by such laws, it shall be null and void, but the remainder of the Limited Warranty shall remain in full force and effect.

Série 0E-COMSMOKE



Modèle 0E-COMSMOKED

Détecteur de fumée photoélectrique

CARACTÉRISTIQUES TECHNIQUES

Diamètre :	4,04 pouces (102 mm) lorsque le détecteur est installé dans le socle 0E-COMSMOKEB
Hauteur :	2,11 pouces (54 mm) lorsque le détecteur est installé dans le socle 0E-COMSMOKEB
Poids :	2,9 oz (82 g)
Plage de température de fonctionnement :	32 à 120 °F (0 à 49 °C)
Plage d'humidité de fonctionnement :	10 à 93 % d'humidité relative, sans condensation
Tension de fonctionnement :	8,5 à 35 VCC
Courant en veille :	90 µA en moyenne
Courant en alarme :	36 mA à 24 VCC
Capacité des contacts d'alarme :	0,5 A à 30 VCA/VCC
Alarme à verrouillage :	Réinitialisation par coupure momentanée de l'alimentation
Délai de réinitialisation de l'alarme :	0,3 s

Avant d'installer et d'utiliser le produit, veuillez lire attentivement le manuel de câblage et d'installation du système. Si les produits sont installés dans un système opérationnel existant, indiquez à l'opérateur et aux autorités locales que le système sera temporairement hors service. Coupez l'alimentation du panneau de commande avant d'installer les produits.

AVIS : ce manuel doit être remis au propriétaire/à l'utilisateur de l'équipement.

DESCRIPTION GÉNÉRALE

Le détecteur 0E-COMSMOKED est un détecteur de fumée photoélectrique quadrifilaire. Ce détecteur est conçu pour protéger les espaces ouverts en association avec les panneaux de commande certifiés UL/ULC compatibles uniquement.

Chaque détecteur est muni de deux DEL qui offrent une indication d'alarme visible à 360°. Elles clignotent toutes les cinq secondes pour indiquer que le détecteur est sous tension et qu'il fonctionne correctement. Les DEL restent allumées en cas d'alarme. Les DEL s'éteignent lorsqu'un état de défaillance est détecté pour indiquer que la sensibilité du détecteur se trouve en dehors de la limite prévue. L'alarme ne peut être réinitialisée que par coupure momentanée de l'alimentation.

Le socle pour détecteur enfichable 0E-COMSMOKEB est utilisé avec le détecteur de fumée W Box Technologies (0E-COMSMOKED).

Le socle 0E-COMSMOKEB est conçu pour être utilisé avec les systèmes quadrifilaires, à l'aide des bornes à vis fournies pour les connexions d'alimentation et de sortie de relais.

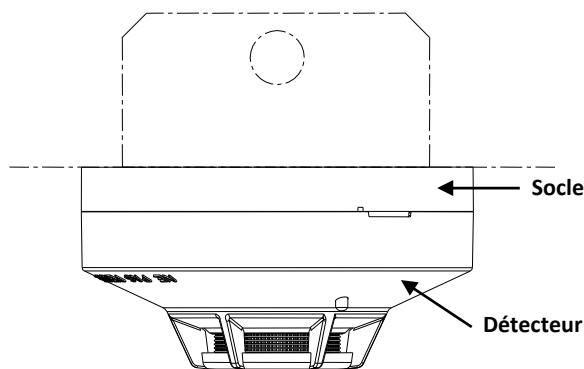
MONTAGE

Chaque détecteur 0E-COMSMOKED est utilisé avec un socle de montage (0E-COMSMOKEB) qui lui permet d'être fixé directement sur une boîte de jonction de 1.97 or 2.36 pouces (50 ou 60 mm) (voir figure 1).



Avant d'installer les détecteurs, mettez les circuits de dispositif d'activation hors tension.

FIGURE 1 : MONTAGE EN SURFACE D'UN DÉTECTEUR DE FUMÉE 0E-COMSMOKED SUR UNE BOÎTE DE JONCTION DE 1.97/2.36 POUCES (50 / 60 MM)



REMARQUE : le câblage doit être conforme aux codes, ordonnances et règlements locaux applicables. Vérifiez que tous les socles pour détecteur sont installés, que les circuits de dispositif d'activation ont été testés et que le câblage est correct. (Consultez le manuel du socle pour détecteur pour connaître la procédure de test.)

1. Installez les détecteurs :
 - a) Placez le détecteur dans son socle.
 - b) Tournez le détecteur dans le sens des aiguilles d'une montre jusqu'à ce qu'il se mette en place.
 - c) Continuez à tourner jusqu'à la butée.
2. Résistance au sabotage : il est possible de rendre le socle du détecteur inviolable. Pour obtenir plus d'informations à ce sujet, consultez les instructions figurant à la page 2.
3. Lorsque cette capacité est activée, les détecteurs ne peuvent pas être retirés du socle sans utiliser d'outil. Consultez le manuel d'installation du socle pour détecteur pour en savoir plus.
4. Une fois tous les détecteurs installés, mettez l'unité de commande sous tension.
5. Testez le détecteur en suivant les instructions figurant dans la section **TEST**.
6. Réinitialisez le détecteur au niveau du panneau de commande du système.
7. Informez les autorités compétentes de la remise en service du système.

TEST

Avant de procéder à un test, informez les autorités compétentes que le système de détection de fumée est en cours de maintenance et sera temporairement hors service. Désactivez la zone ou le système en cours de maintenance pour éviter les alarmes indésirables. Les détecteurs doivent être testés après l'installation et dans le cadre de la maintenance périodique.

Testez le détecteur OE-COMSMOKED comme suit :

REMARQUE : avant de tester le détecteur, assurez-vous que les DEL clignotent. Si ce n'est pas le cas, le détecteur n'est pas alimenté (vérifiez le câblage), est défectueux (renvoyez-le pour réparation) ou sa sensibilité se trouve en dehors des limites prévues.

TEST DE FUMÉE

Tenez un bâton ou un coton en combustion à proximité du détecteur et soufflez doucement pour diriger la fumée vers le détecteur jusqu'à ce que l'alarme de l'unité se déclenche. Il est recommandé d'effectuer un test de détection de fumée pour vérifier la capacité de protection du système.

Un détecteur qui échoue à ce test doit d'abord être nettoyé comme indiqué dans la section relative à la maintenance. Si le détecteur échoue toujours au test, il doit être renvoyé pour réparation si la défaillance se produit pendant la période de garantie. Informez les autorités compétentes de la remise en service du système.



ATTENTION

Les caches antipoussière permettent de limiter efficacement la pénétration de poussières dans les chambres de détection du détecteur de fumée. Cependant, ces dispositifs ne peuvent pas empêcher toutes les particules de poussières en suspension dans l'air d'entrer dans le détecteur. Par conséquent, W Box Technologies recommande de retirer les détecteurs avant d'entreprendre des travaux de construction ou d'autres activités générant de la poussière. Veillez à retirer les caches antipoussière des capteurs laissés en place pendant les travaux de construction pour que le système puisse fonctionner normalement.

Remarque : veuillez éliminer les appareils électroniques remplacés ou mis au rebut conformément aux règlements nationaux ou locaux.

MAINTENANCE

1. Retirez le détecteur du socle de montage en le faisant tourner dans le sens contraire des aiguilles d'une montre.
2. Retirez le couvercle du détecteur.
3. Aspirez le couvercle avec précaution.
4. Retirez le couvercle de la chambre de détection (voir figure 3).
Remettez en place le couvercle de la chambre de détection en alignant les deux trous du couvercle sur les deux tenons de la chambre.
5. Fixez le couvercle.
6. Réinstallez le détecteur.
7. Testez le détecteur en suivant les instructions figurant dans la section « TEST ».
8. Informez les autorités compétentes de la remise en service du système.

FIGURE 2. VUE DE DESSOUS ET VUE LATÉRALE

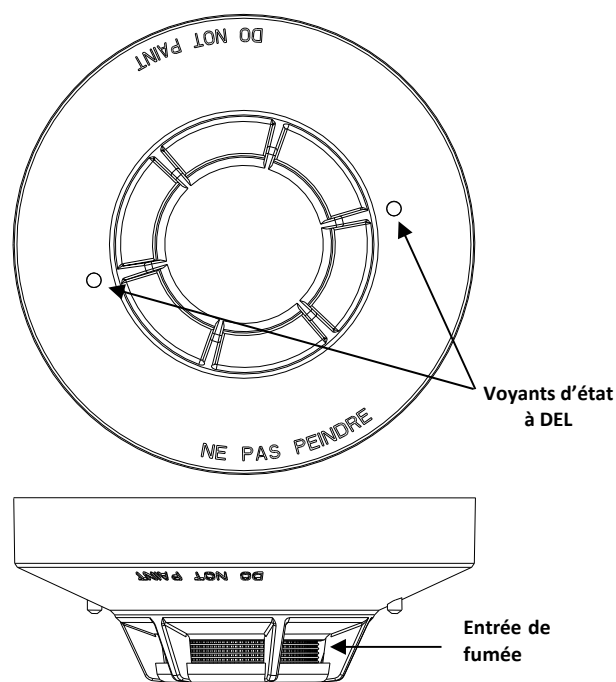
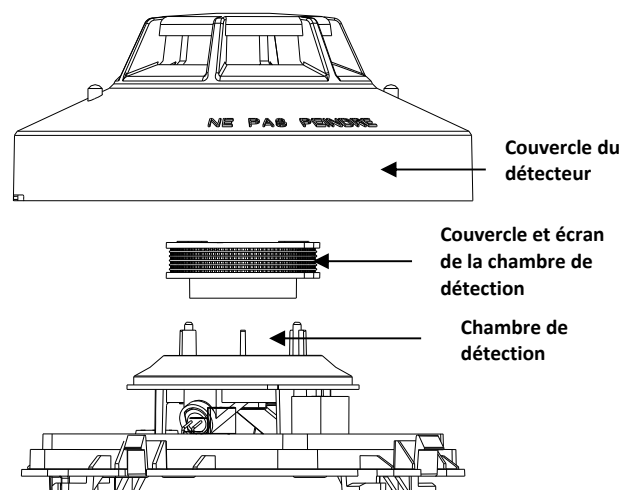


FIGURE 3 : RETRAIT DU COUVERCLE POUR LE NETTOYAGE



Modèle 0E-COMSMOKEB

Socle pour détecteur enfichable

CARACTÉRISTIQUES TECHNIQUES

Diamètre :	4,04 pouces (102 mm)
Hauteur :	0,65 pouces (16 mm)
Poids :	1,34 oz (38 g)
Plage de température de fonctionnement :	32 à 120 °F (0 à 49 °C)
Plage d'humidité de fonctionnement :	10 à 93 % d'humidité relative, sans condensation

Caractéristiques électriques — socle et détecteur

Tension nominale du système :	12/24 VCC
Min. :	8,5 VCC
Max. :	35 VCC
Tension d'ondulation max. :	30 % crête à crête de la tension appliquée
Courant nominal en veille :	90 µA en moyenne
Capacité d'alarme :	36 mA à 24 VCC
Capacité des contacts d'alarme :	0,5 A à 30 VCA/VCC
Tension de réinitialisation :	2,5 VCC minimum
Délai de réinitialisation :	0,3 seconde maximum
Temps de mise en route :	35 secondes maximum

Avant d'installer et d'utiliser le produit, veuillez lire attentivement le manuel de câblage et d'installation du système. Si les produits sont installés dans un système opérationnel existant, indiquez à l'opérateur et aux autorités locales que le système sera temporairement hors service. Coupez l'alimentation du panneau de commande avant d'installer les produits.

AVIS : ce manuel doit être remis au propriétaire/à l'utilisateur de l'équipement.

DESCRIPTION GÉNÉRALE

Le socle pour détecteur enfichable 0E-COMSMOKEB est utilisé avec le détecteur de fumée W Box.

Le socle 0E-COMSMOKEB est conçu pour être utilisé avec les systèmes quadrifilaires, à l'aide des bornes à vis fournies pour les connexions d'alimentation et de sortie de relais.

MONTAGE

Le socle pour détecteur W Box Technologies s'installe sur les boîtes de jonction classiques. Fixez le socle sur la boîte à l'aide des vis fournies avec la boîte de jonction.

DIRECTIVES D'INSTALLATION ET DE CÂBLAGE

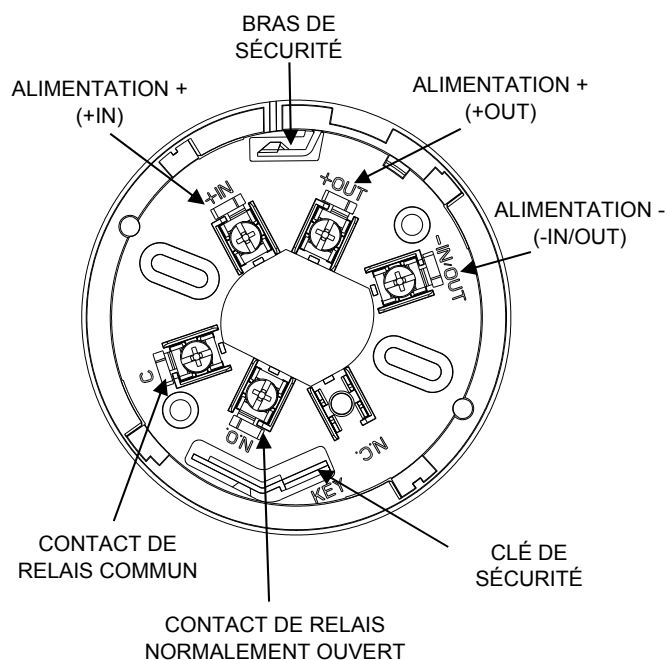
Le câblage doit être installé conformément aux codes applicables et aux exigences de l'autorité compétente. Des calibres de câble appropriés doivent être utilisés. Les conducteurs utilisés pour raccorder les détecteurs de fumée à des panneaux de commande et à des accessoires doivent être codés par couleur pour réduire le risque d'erreurs de câblage. Un mauvais raccordement peut empêcher un système de répondre correctement en cas d'incendie. Concernant les câbles de transmission de signaux (le câblage de +IN, +OUT et -IN/OUT), le câblage doit être au moins de calibre 18 (0.0013 pouces² / 0,823 mm²). Des câbles de calibre 12 maximum (0.0051 pouces² / 3,31 mm²) peuvent être utilisés avec le socle. Pour optimiser les performances du système, les câbles doivent être des paires torsadées et doivent être installés dans un conduit mis à la terre séparé pour protéger la boucle des interférences électriques parasites.

Les branchements sont effectués en dénudant environ 3/8 po d'isolation de l'extrémité du câble (utilisez la jauge d'épaisseur moulée sur le socle), en faisant glisser l'extrémité nue du câble sous la plaque de fixation et en serrant la vis de cette dernière.

Les dispositifs d'activation à deux fils sont alimentés par le circuit d'activation d'un panneau de commande. Les caractéristiques électriques de la combinaison du panneau de commande et du socle pour détecteur doivent être compatibles pour assurer le bon fonctionnement du système.

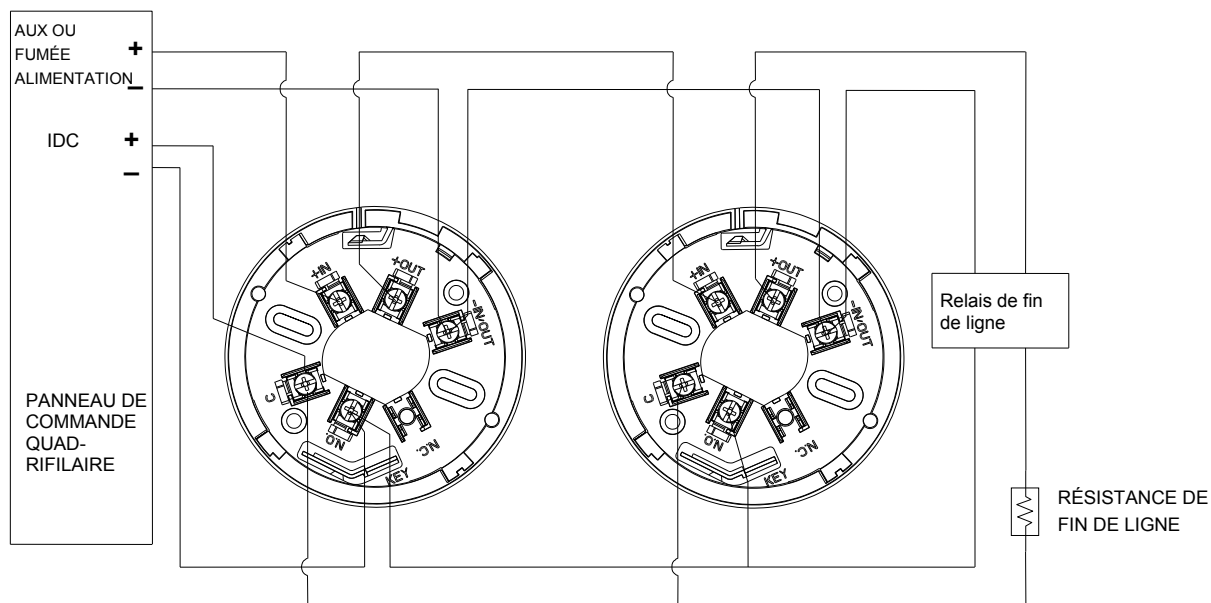
Une fois tous les socles câblés et montés, et lorsque le câblage en boucle a été contrôlé, les têtes de détecteur peuvent être installées dans le socle.

FIGURE 4 : DISPOSITION DES BORNES



N'enroulez pas le câble sous les bornes. Séparez le chemin de câbles pour assurer la surveillance des raccordements.

FIGURE 5 : SCHÉMA DE CÂBLAGE

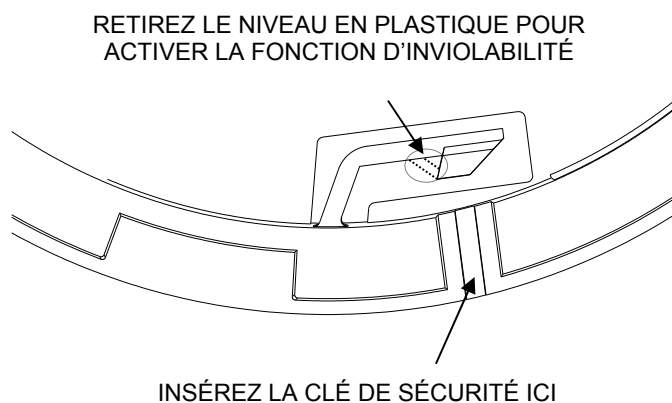


FONCTION D'INVOLABILITÉ

Ce détecteur comprend une fonction d'invulnérabilité qui empêche son retrait du socle de montage sans utiliser une clé. Pour rendre le détecteur inviolable, retirez la languette du bras de sécurité situé sur le socle de montage à l'aide d'un outil de coupe. Retirez la clé de sécurité située au centre du socle de montage (voir figure 6) en la faisant tourner plusieurs fois dans un sens et dans l'autre. Une fois installé, le détecteur peut être retiré du socle de montage en insérant l'extrémité en T de la clé dans la fente latérale de l'unité et en faisant tourner le détecteur dans le sens contraire des aiguilles d'une montre.

Remarque : veuillez éliminer les appareils électroniques remplacés ou mis au rebut conformément aux règlements nationaux ou locaux.

FIGURE 6 : FONCTION D'INVOLABILITÉ



1. Garantie limitée

a. Généralités

Sous réserve des modalités de la présente garantie limitée, à compter de la date de vente et pendant la période de garantie applicable aux catégories de produits précisée au paragraphe 1b), ADI garantit que ses produits W Box Technologies sont libres de tout vice de matériaux et de fabrication dans des conditions d'utilisation et d'entretien normales, sauf l'usure normale. Sauf si les lois l'exigent, la présente garantie limitée est offerte uniquement à l'acheteur et ne peut être transférée à un tiers.

ADI n'a aucune obligation aux termes de la présente garantie limitée ou autrement dans les circonstances suivantes :

- i. le produit est mal installé, appliqué ou entretenu;
- ii. le produit est installé de manière non conforme aux paramètres d'exploitation indiqués, modifié ou mal entretenu ou réparé;
- iii. le produit est endommagé par des phénomènes naturels extérieurs comme la foudre, une surcharge, un incendie, une inondation, une force majeure ou un phénomène similaire;
- iv. les défauts du produit résultent d'une modification non autorisée, d'une mauvaise utilisation, d'un acte de vandalisme ou d'autres causes non liés aux vices de matériaux ou de fabrication, ou à une défaillance des piles de quelque type que ce soit utilisées avec les produits vendus aux termes des présentes.

ADI ne garantit que les produits portant la marque W Box Technologies qu'elle vend. Les autres produits portant une marque de tiers sont garantis par le fabricant tiers pendant une période définie par ce dernier, et ADI cède à l'acheteur ces garanties et uniquement les garanties offertes par ces fabricants tiers ou vendeurs à l'égard de produits ne portant pas ses marques. ADI ne garantit pas de produits ne portant pas ses marques et vend ces produits tels quels, conformément à ses modalités de vente.

b. Les garanties particulières applicables aux catégories de produits sont les suivantes :

Catégories de produits	Période de la garantie
Marcher à Travers les Détecteurs de Métaux	12 mois
Accessoires de communication d'intrusion sans fil	12 mois
Barres de son	12 mois
UPS (systèmes d'alimentation sans coupure)	24 mois
Téléviseurs	24 mois
Caméras analogiques	24 mois
Caméras HD TVI, HD DVR's	24 mois
Blocs d'alimentation CCTV	24 mois
Contrôles du volume	24 mois
Protection contre les surcharges	24 mois
Haut-parleurs pour le plafond	24 mois
Modules de requête de sortie	24 mois
Mise à jour des serrures magnétiques	24 mois
Distributeurs HDMI	24 mois
Serrures magnétiques	24 mois
Amplificateurs	24 mois
Parasurtenseur 6 prises	24 mois
Écrans	30 mois
Source de courant, Relais	30 mois
Bouton Hold-up	30 mois
Balluns vidéo	30 mois
Système d'alarme anti-intrusion	30 mois
Détecteurs de fumée	36 mois
Bâtis	60 mois
Supports de télévision	60 mois
Caméras IP	60 mois
DVRs, NVR's	60 mois
Détecteurs de mouvement infrarouge	60 mois
Attaches pour câbles	À vie limitée
Les panneaux de brassage	À vie limitée
Câbles analogiques	À vie limitée
Câbles de raccordement	À vie limitée

Bornes de bus	À vie limitée
Connecteurs B	À vie limitée
Cordes d'extension	À vie limitée
Contacts magnétiques	À vie limitée
Bloc modulaire, câbles et accessoires de communication	À vie limitée
Conduits cache-fil	À vie limitée
Câbles HDMI	À vie limitée

2. EXCLUSION DE GARANTIES ET LIMITATION DE RESPONSABILITÉ

IL N'EXISTE AUCUNE GARANTIE OU CONDITION, EXPRESSE OU IMPLICITE, DE QUALITÉ MARCHANDE, D'ADAPTATION À UNE FIN PARTICULIÈRE OU AUTRE QUI DÉPASSE LE CADRE DE LA DESCRIPTION FOURNIE AU RECTO DES PRÉSENTES. DANS LA PLEINE MESURE PERMISE PAR LA LOI, ADI NE SAURAIT EN AUCUN CAS ÊTRE TENUE RESPONSABLE ENVERS QUICONQUE DES DOMMAGES CONSÉCUTIFS, INDIRECTS, SPÉCIAUX OU PUNITIFS DÉCOULANT DU PRODUIT OU LIÉS À CELUI-CI DE QUELQUE FAÇON QUE CE SOIT ET/OU DU NON-RESPECT DE LA PRÉSENTE GARANTIE OU DE TOUTE AUTRE GARANTIE OU CONDITION, EXPRESSE OU IMPLICITE, OU DE TOUTE AUTRE RÉCLAMATION FONDÉE SUR LA RESPONSABILITÉ, MÊME SI LA PERTE OU LES DOMMAGES SONT CAUSÉS PAR LA NÉGLIGENCE OU LA FAUTE D'ADI ET MÊME SI CETTE DERNIÈRE A ÉTÉ AVISÉE DE LA POSSIBILITÉ QUE DE TELLES PERTES OU DE TELS DOMMAGES SURVIENNENT. Les descriptions de produits (fournies par écrit ou verbalement par ADI ou ses mandataires), caractéristiques techniques, échantillons, modèles, bulletins, dessins, diagrammes, esquisses techniques ou documents similaires utilisés par l'acheteur pour passer une commande visent uniquement à décrire les produits d'ADI et ne doivent pas être interprétés comme des garanties ou conditions expresses. Les suggestions faites par ADI ou ses mandataires au sujet de l'utilisation, de l'application ou du caractère approprié des produits ne doivent pas être interprétées comme des garanties ou conditions expresses, sauf si ADI confirme par écrit qu'il s'agit de garanties ou de conditions expresses. ADI ne garantit pas qu'il n'y aura aucune atteinte à l'intégrité des produits qu'elle vend ou que les produits qu'elle vend ne seront pas contournés, qu'ils préviendront les blessures ou les pertes matérielles en cas de cambriolage, de vol, d'incendie ou autrement ou qu'ils constitueront dans tous les cas une protection ou un avertissement approprié. L'acheteur comprend qu'un produit dûment installé et entretenu permet uniquement de réduire le risque de cambriolage, de vol ou d'incendie sans avertissement, mais qu'il ne constitue pas une assurance ou une garantie qu'un tel événement ne se produira pas ou qu'il n'entraînera pas des blessures ou des pertes matérielles. PAR CONSÉQUENT, ADI NE SAURAIT ÊTRE TENUE RESPONSABLE DES BLESSURES, DES DOMMAGES MATÉRIELS OU D'AUTRES PERTES FAISANT L'OBJET D'UNE RÉCLAMATION, Y COMPRIS UNE RÉCLAMATION SELON LAQUELLE LE PRODUIT N'AURAIT PAS DONNÉ DE SIGNAL D'AVERTISSEMENT. Toutefois, si ADI est tenue responsable, directement ou indirectement, de pertes ou de dommages à l'égard des produits qu'elle vend, quelle qu'en soit la cause ou l'origine, sa responsabilité n'excédera en aucun cas le prix d'achat du produit, dont le remboursement sera exigé à titre de dommages-intérêts extrajudiciaires et non d'amende, et il s'agira du recours exclusif et intégral pouvant être exercé contre ADI.

3. Limitation de la responsabilité envers les clients de l'acheteur.

L'acheteur s'engage à limiter la responsabilité envers ses clients dans la pleine mesure permise par la loi. L'acheteur reconnaît qu'ADI ne sera réputée avoir fourni aux consommateurs de ses produits que les garanties qui sont exigées par la loi. L'acheteur ne doit en aucun cas déclarer à ses clients et/ou aux utilisateurs des produits d'ADI que cette dernière offre d'autres garanties. Par l'acceptation des produits, l'acheteur assume, dans la pleine mesure permise par la loi, la pleine responsabilité à l'égard de toutes les poursuites, réclamations, mises en demeure et causes d'action et à l'égard de tous les jugements se rapportant à des dommages-intérêts, que ce soit pour des préjudices personnels ou des dommages matériels, subis par une personne, une firme, une société ou une association commerciale, y compris les clients de l'acheteur et/ou les utilisateurs des produits, en raison de toute omission de la part des produits de déceler le danger pour la détection duquel ils sont conçus et/ou de donner l'alerte de ce danger ou un avertissement de toute autre défaillance des produits, que ces dommages aient été causés par la négligence dont ADI est l'auteur ou le coauteur, et il tiendra ADI à couvert à cet égard et prendra fait et cause pour lui.

4. Retours

Sous réserve des modalités énumérées ci-après, durant la période de garantie applicable, ADI remplacera le produit ou donnera une note de crédit à l'achat, à son gré et sans frais, à l'égard de tout produit défectueux qui lui est retourné. L'obligation qui incombe à ADI de remplacer le produit visé par une garantie à vie limitée aux termes de la garantie en question si celui-ci est défectueux se limite à la disponibilité d'un produit de remplacement. ADI se réserve le droit de remplacer un produit défectueux par le produit qui est disponible à ce moment-là, ou de donner une note de crédit, à son gré. Si l'acheteur a un problème avec un produit d'ADI, il doit appeler sa succursale ADI locale pour connaître la marche à suivre pour retourner le produit.

Aux États-Unis, composer le 1 800233-6261

Au Canada, composer le 877234-7378

À Porto Rico, composer le 787793-8830

L'acheteur doit avoir en main le numéro du modèle et décrire la nature du problème. En cas de remplacement, le prix du produit retourné sera porté au crédit du compte de l'acheteur et une nouvelle facture sera établie pour le produit de remplacement. ADI se réserve le droit de donner une note de crédit plutôt que de remplacer le produit.

Si l'on établit que le produit W Box Technologies n'est pas défectueux ou que son mauvais fonctionnement résulte d'une utilisation abusive ou de dommages causés par l'utilisateur, le produit sera retourné à l'acheteur dans le même état que celui dans lequel il a été reçu et l'acheteur devra acquitter les frais de transport.

5. Lois applicables

Les lois de l'État de New York s'appliquent à la présente garantie limitée.

6. Modalités diverses

Si une modalité de la présente garantie limitée est interdite par ces lois, elle sera nulle, mais le reste de la présente garantie limitée demeurera pleinement en vigueur.