

**HAND HELD
METAL DETECTOR**

OPERATING
MANUAL





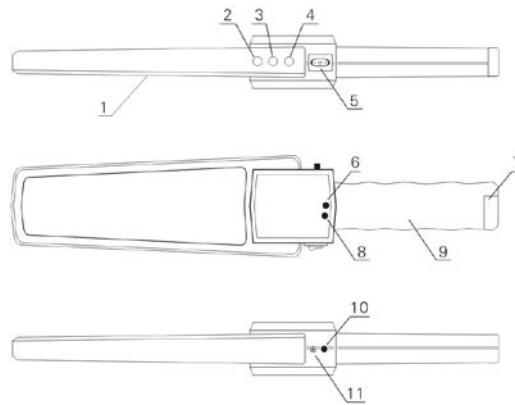
Users' Guide for Hand-Held Metal Detector

0E-HHMD

Congratulations on your selection of the W Box 0E-HHMD Metal Detector. The W Box 0E-HHMD is an active hand-held metal detector designed to find metal (ferrous, nonferrous and stainless steel), weapons, contraband or other objects carried on a person or concealed by a nonmetal object. When used properly, it is extremely effective in detecting even the smallest objects.



I. DETECTOR FEATURES:



1. Detection Face

2.3.4: LED Indicators (Green=ON, Yellow=Low Battery, Red=Detection of Metal Object)

5. Handoff Switch (audio, light, vibration)

6. Buzzer hole

7. Quick-Change Battery Compartment

- Use a coin or screwdriver to open compartment. Insert circular cam lock and twist to secure in closed position.

8. Sensitivity adjuster

9. Comfort Hand Grip

10. Low/High sensitivity switch

11. Rechargeable Battery Socket

II. Applications:

Electronic and Security detection inspection at airports, railway stations, bars/clubs, theaters, restaurants, courts, stadiums, offices, factories, casinos, schools.

III. Detection distance:

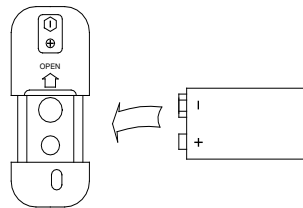
- | | |
|----------------------------|---------------------|
| ➤ 1 inch to 2 inch Pin | 1" - 2" (30 - 60mm) |
| ➤ 64 model handgun | 6" (150mm) |
| ➤ 6 inch long knife | 6" (160mm) |
| ➤ 20mm Diameter Steel Ball | 0.78" (20mm) |
| ➤ Steel ball | 3.5" (90mm) |

IV. Features:

- Able to detect medium sized pistol from 6" distance; large knife from 6"; razor blades and box cutters from 3" distance; foil-wrapped drugs and tiny jewelry from 1".
- Digital microprocessor technology eliminates the need for sensitivity adjustments.
- Rugged, high-impact ABS case with reinforced coil compartment.
- 8 inches of scan surface for thorough scans

- 9V Rechargeable battery is included, and requires no tools to change.
- Detection of metal causes clear alarm noise and bright LED illumination
- Momentary push button helps temporarily eliminate detection of nearby ambient metal
- The detection distance will not change when the battery voltage drops from 9V to 7V.
- Low Battery Indication.
- Includes external rechargeable jack. (Charger not included)
- Includes audio, light and vibration hands-off switch.
- Comfort Hand Grip.

V. Install and replace battery:



Battery Cover – Remains securely in place at all times but can be easily opened for changing the battery with no tools required.

Battery Replacement – Slide back the battery cover, tilt the detector and the battery will slip out. Replace with new battery. Battery cover will not slide back if the battery is inserted improperly. Always remove battery when not in use for longer than 30 days.

VI. Operating Instructions:

Body Scanning for the Detection of Metal Objects

Always test the detector before operation. Sweep the detector across a known metal object, and verify detection with audio, vibratory, and visual feedback.

Motion is required: The metal detector must be IN MOTION, sweeping across the target area, to detect the presence of metal. The subject should stand upright, with arms and legs extended. Sweep the detector over the subject, with a smooth, even motion, about one inch from the body. Do not make physical contact between the subject and the detector.

Turn the detector on by setting the Power Switch to the on position. The Green Alert Light will illuminate and the Audio Alert will sound to indicate the unit has been turned on. The Green Alert Light will remain on until the unit is turned off. *Note: If no click sound is heard, it indicates that no battery has been installed or the battery is not well connected. If the click sound is heard consecutively, it indicates the battery cannot be used anymore and a new battery is required.*

When the switch-on click sound stops, the detector is ready for use. When the OE-HHMD is operating, it will detect metal only while it is in motion. Move the instrument within approximately

two inches from the person (object) being inspected. Sound will increase sharply and the Red Alert Light will illuminate whenever metal is detected adjacent to the Scan Area. Operation is completely automatic. All conductive metals will be detected, including ferrous, non-ferrous and stainless steel.

VII. Sensitivity Adjustment:

Detection range is dependent upon the size and conductivity of the metal object. The larger the object, the greater the detection distance. The LED color will distinguish the size or distance of the metal. A Green light will indicate a small size of or a long distance of metal, yellow and red lights indicates a larger size or a shorter distance of a metal.

Threshold Adjustment

Insert a small flat blade screwdriver in the exposed hole and turn slightly to adjust until a sound is heard, then rotate counter-clockwise barely to the position where no sound is produced, then rotate for another half a circle, until the sensitivity meets the requirement. The sensitivity standard is based on a paper clip.

CAUTION: Always verify that the OE-HHMD is set to the desired sensitivity level by testing with appropriate targets anytime the threshold adjustment is changed.

VIII. NOTE:

- ✓ Be sure to switch off power after use.
- ✓ Battery shall be taken out when the detector is not used for a long period of time.
- ✓ No sound will be produced when the probe is directly positioned to the metal object. Sound is produced only when the probe crosses the metal object.
- ✓ Be sure to switch off power when the battery is recharged.
- ✓ Charger voltage: 9V for AC. 10V for DC. (Charger not Included)

Specifications

Model Number: OE-HHMD

Operating Frequency: 25 kHz

Audio Frequency: TB

Length: 20.5" (52 cm.)

Width: 3.9" (10 cm.)

Thickness: 1.97" (5 cm.)

Weight: 0.88lbs (400g)

Voltage: 6.8 to 10 VDC

Power: 270MW

Battery: Standard 9V (Rechargeable)

Environmental: Operating Temperatures: 5°F (-15°C) to 131°F (55°C)

Humidity: to 95% noncondensing

Note: Do not affix metallic labels (or any material that might cause the detector to alarm) to the detection area of the OE-HHMD. Doing so might cause an imbalance within the detection field and thereby reduce scanning effectiveness.

E-mail: Info@wboxtech.com

Website: www.wboxtech.com





OE-HHMD



Made in China