

WBOX 0E-SIRENSTRO AND 0E-SRNSTROBT WIRING INSTRUCTIONS

Wire assignment:

Red = positive (+) for both strobe and siren signalling

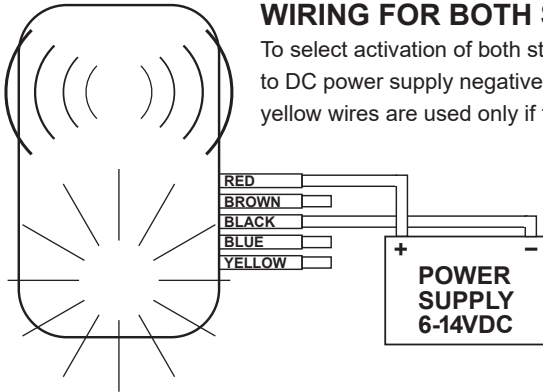
Brown = positive (+) for strobe signalling only

Black = common (-)

Blue and Yellow = non-polarized tamper circuit

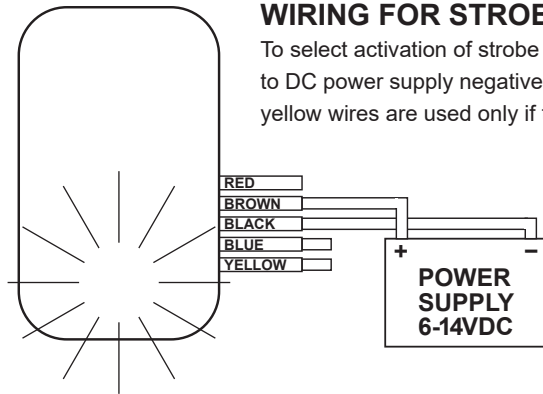
WIRING FOR BOTH STROBE AND SIREN SIGNALLING

To select activation of both strobe and siren upon alarm trigger, connect black wire (common) to DC power supply negative (-) and red wire to positive (+). Brown wire is not used. Blue and yellow wires are used only if tamper switch is to be utilized.



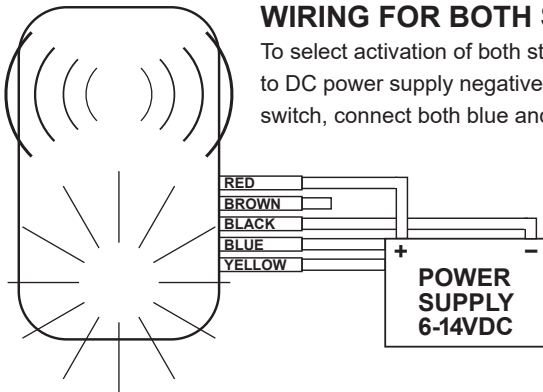
WIRING FOR STROBE SIGNALLING ONLY

To select activation of strobe only upon alarm trigger, connect black wire (common) to DC power supply negative (-) and brown wire to positive (+). Red wire is not used. Blue and yellow wires are used only if tamper switch is to be utilized.



WIRING FOR BOTH STROBE AND SIREN SIGNALLING PLUS TAMPER

To select activation of both strobe and siren upon alarm trigger, connect black wire (common) to DC power supply negative (-) and red wire to positive (+). Brown wire is not used. To utilize tamper switch, connect both blue and yellow wires to either negative (as shown) or to positive.



WIRING FOR STROBE SIGNALLING ONLY PLUS TAMPER

To select activation of strobe only upon alarm trigger, connect black wire (common) to DC power supply negative (-) and brown wire to positive (+). Red wire is not used. To utilize tamper switch, connect both blue and yellow wires to either negative (as shown) or to positive.

