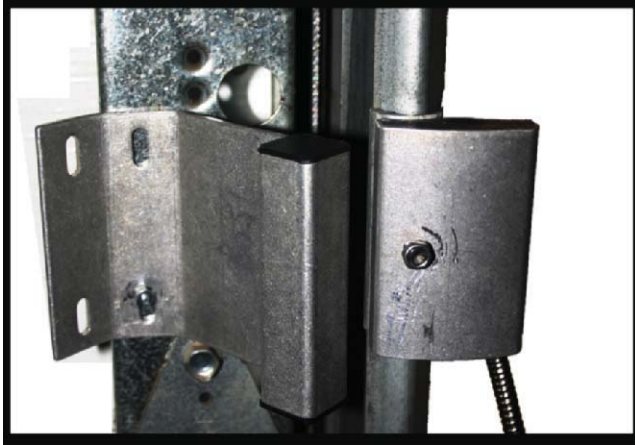


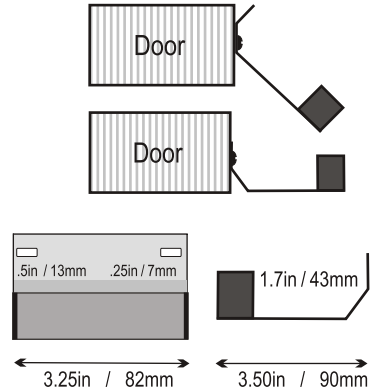
Track Mount Overhead Panel Door Contact Switch



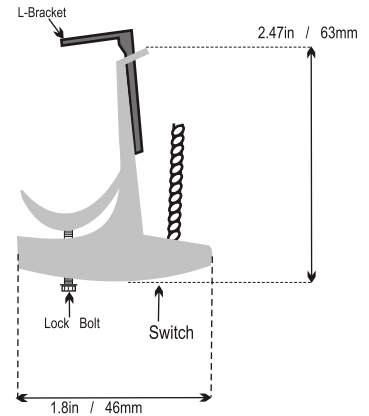
Model DC-4811 provides an effective and convenient means to secure panel type roll up doors which incorporate a roller transport mechanism. The inclusion of an adjustable L-bracket allows fitting to roller tracks up to 3in. wide. For the highest level of security, mount the switch below any other devices installed on the track while still high enough to keep the cabling off the floor surface.

Mount the magnet on the door so there is a 1/4 in. spacing between the switch and the magnet when the door is in a closed orientation. Avoid locating the magnet near handle and/or latch to prevent it from being used as a foothold or other type of door closing accessory.

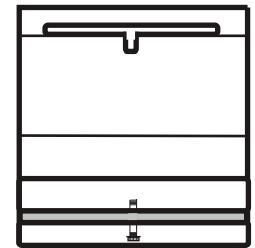
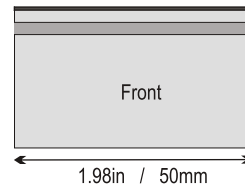
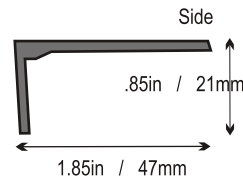
Magnet Assembly (Two Mounting Configurations)



Switch Assembly (Side View)



L Bracket

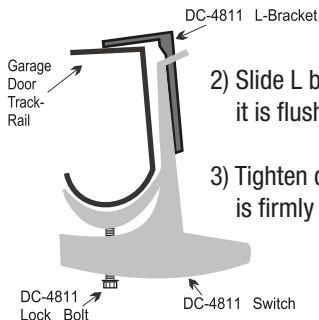


Switch Front View
2.76in / 70mm

Mounting

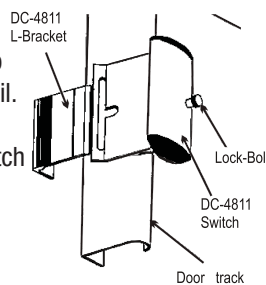
Switch

1) Fit switch to the curved side of the rail garage door rail as shown in the left illustration.



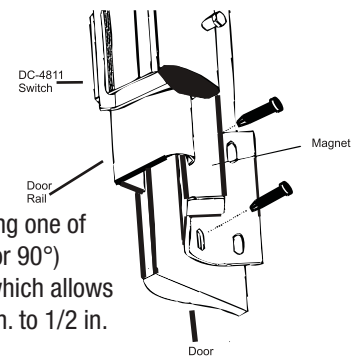
2) Slide L bracket into the switch so it is flush to the flat side of the rail.

3) Tighten down the bolt so the switch is firmly secured to the door rail.



Magnet

Mount magnet on the door using one of the two bolt orientations (45° or 90°) provided. Use the orientation which allows placement of the magnet 1/4 in. to 1/2 in. away from the switch.



Specifications

Gap

Make: 2.75in / 70mm (+/- 20%)
Break: 4.0in / 102mm (+/- 20%)

Connections:

24in, 22 gauge wire enclosed in steel armoured cable.

Operating Temperature:

-40°F ~ 165°F / -40°C ~ 65°C

Construction:

Molded aluminum

Dimensions:

Switch	Magnet
L- 2.76in / 70mm	L- 3.50in / 90mm
W- 1.80in / 69mm	W- 3.25in / 82mm
D- 2.47in / 95mm	D- 1.7in / 43mm

Electrical:

Circuit Type: NC / Dry Contact

Max Ratings:

Voltage: 250VDC/vac
Current: 500mA
Watts: 10W