



**IN-CEILING  
8" SUBWOOFER  
0E-ICS8**



# Introduction

Congratulations and thank you for purchasing W Box Technologies 0E-ICS8 In-Ceiling Subwoofer with Sonic Vortex.

Our patented Sonic Vortex Technology is based on Ported Transmission Line design and incorporates a compact, integrated enclosure. Most In-ceiling speakers do not utilize a back box, even fewer have an enclosure, and only a Sonic Vortex speaker has an Integrated Transmission Line Ported Enclosure. Without something behind the speaker driver the music not only plays into the room, but also bleeds into adjoining rooms such as the attic or an occupied room. The bleed negatively affects performance, and sound consistency.

The Sonic Vortex enclosure directs all of the sound from the speaker driver into the room it is intend to be in, so you get to enjoy your speakers without disturbing the rest of the house. Great bass response, stereo image, and big sound that you can't get with any other in-ceiling speaker.

The 0E-ICS8 subwoofer installs with ease using the 'dog' mounting system and magnetic bezelless grills for fast, clean installations.

Please follow the instructions in this manual to assure proper installation and to achieve the full performance and satisfaction you would expect from W Box Technologies.



# Speaker Placement

When installing in-ceiling speakers or subs, (or in-ceiling anything for that matter) it is always a good idea to find out what is in the ceiling before cutting holes. Be aware of the location of plumbing, electrical and structural elements that may affect speaker placement.

## **Stereo**

It is also a good idea to locate stereo speakers so they are centered to the main listening position in which the user/s will normally be located. Whenever possible, try to position the left and right speakers at the same distance from each other as they are from the main listening position.

## **Subwoofer**

Subwoofers are omni-directional so placement of in-ceiling subs is somewhat less critical, but placement can be affected (good and bad) by corners and walls, so try to find a location that will be somewhat unaffected by placement.

## **Surround**

Locate surround speakers according to the recommendations in the surround processor's owner's manual.

# Installation

## **SPEAKER WIRE**

Pull one run of 16AWG stranded speaker wire from the amplifier location to each speaker location. If in pre-wire, while the walls are open and it's easy, pull extra wire to any location that may be desirable to add speakers at a later date. Leave extra length of wire on each end to allow making connections and installing/removing speakers.

Use the chart below to determine the proper gauge of wire, based upon wire length from the amp to the speakers. If using volume controls, include the total length from the amp to the volume control and then to the speakers.

<b>SPEAKER WIRE GAUGE TABLE</b>	
<b>SPEAKER WIRE LENGTH</b>	<b>SPEAKER WIRE GAUGE</b>
150' (46m)	16AWG
400' (122m)	14AWG

## **NEW CONSTRUCTION**

W Box Technologies speaker installation can be simplified by using a W Box Technologies new construction 0E-EZBRACKET, (sold separately). This is installed prior to drywall installation and allows for precise speaker placement and simplifies the final installation of the speaker.

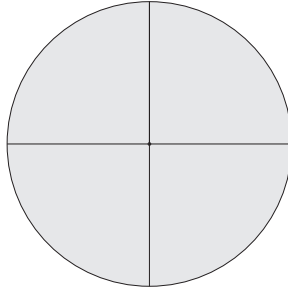
## **EXISTING CONSTRUCTION**

Speaker wire must be run from the equipment or volume control location to each potential speaker location.

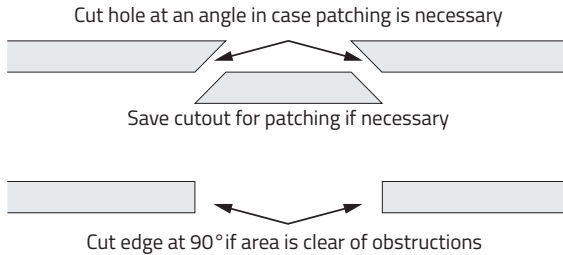
- Choose a location for each speaker that is free of obstructions created by joists, HVAC duct-work, electrical wire runs, plumbing or anything else that might not allow for the depth of the speaker or create interference or noise.

# Installation

- Once you have determined your locations, use a pencil to mark the hole to cut out for the speaker using the supplied template. Don't forget to allow for the size of the speaker bezel if you are installing the speaker near a sidewall or other item that could become an obstacle.

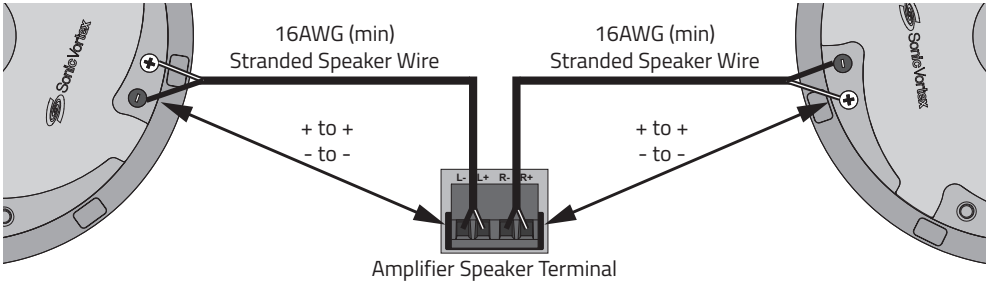


- If you are unsure of potential obstacles, carefully cut your holes using an angle to the inside of the cutout area. This will allow you to “plug” the hole easily if needed. If the area is clear and is a good location for the speaker, go ahead and cut the edges of the opening at 90 degrees to accommodate the speaker diameter.



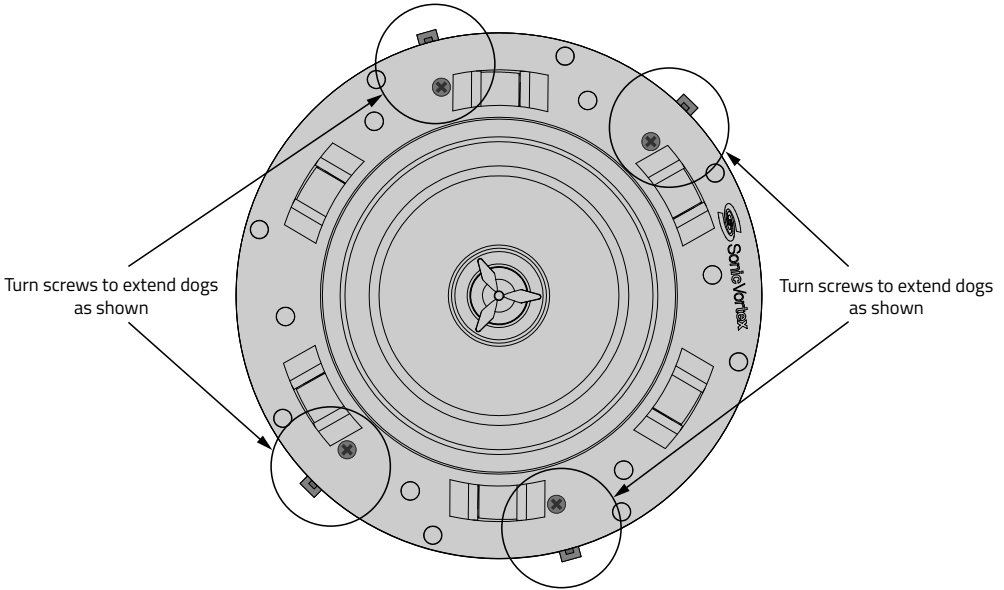
# Installation

- Strip the insulation on each conductor approximately 1/2" (12.7mm) and insert to the speaker terminals. Ensure that there are no stray strands of wire protruding from the connectors that can cause shorts. Observe proper polarity (+ to + and – to – for each speaker and at the amplifier) and that surround channels are properly positioned and connected, if used.



# Installation

- With the 'dogs' flush to the side of the speaker, insert the speaker into the ceiling and tighten each of the four screws for the speakers' dogs, enough to clamp the speaker to the drywall. Do not overtighten.



- Attach the grill to the subwoofer. The grill attaches with magnets so it will just snap into place.

## **PAINING**

The grill may be painted, but go as light as possible to not to clog the fine holes with paint. Only paint grills when they have been removed from the speakers and be sure to remove the cloth on the backside of the grill before painting. If the cloth is not removed for painting, it will absorb the paint and clog the grill, significantly affecting the sound...and not in a good way.

# Troubleshooting

W Box Technologies speakers are designed to function trouble-free. Most problems that occur are due to simple issues. If you have trouble, please check the list of simple fixes below.

<b>SPEAKER TROUBLESHOOTING</b>	
<b>PROBLEM</b>	<b>SOLUTION</b>
NO SOUND	Verify that there is audio from the source selected. Select another source if necessary.
	Ensure that the amplifier is turned on and connected properly.
	Check any connections at other devices, such as a volume control. Temporarily bypass the control if needed.
	Check wire connections at each speaker not producing sound for good contact to bare wire, not wire insulation.



# Specifications

Frequency Response:	36-400Hz
Frequency/Crossover Setting:	80Hz and Below
RMS Power:	100 Watts
Max Power:	200 Watts
Speaker Driver:	8" Silver IMPP Cone
Impedance:	8 Ohm
Grill Diameter:	11.2"
Mounting Diameter:	10.3"
Mounting Depth:	8.6"
Mounting Style:	4 Locking 'Dogs'
Grill:	Bezelless Magnetic Grill

# Limited Warranty

## 1. Limited Warranty

### a. General

Subject to the terms and conditions of this Limited Warranty, from the date of sale through the period of time for product categories specified in Section 1(b), ADI warrants its W Box Technologies products to be free from defects in materials and workmanship under normal use and service, normal wear and tear excepted. Except as required by law, this Limited Warranty is only made to Buyer and may not be transferred to any third party.

ADI shall have no obligation under this Limited Warranty or otherwise if:

- (i) The product is improperly installed, applied or maintained;
- (ii) The product is installed outside of stated operating parameters, altered, or improperly serviced or repaired;
- (iii) Damage is caused by outside natural occurrences, such as lightning, power surges, fire, floods, acts of nature, or the like.
- (iv) Defects resulting from unauthorized modification, misuse, vandalism, or other causes unrelated to defective materials or workmanship, or failures related to batteries of any type used in connection with the products sold hereunder.

ADI only warrants those products branded as W Box Technologies products and sold by ADI. Any other products branded by third parties are warranted by the third party manufacturer for a period as defined by the third party manufacturer, and ADI assigns to Buyer those warranties and only those warranties extended by such third party manufacturers or vendors for non-ADI branded products. ADI does not itself warrant any non-ADI branded product and sells only on an as is basis in accordance with ADI's terms and conditions of sale.

# Limited Warranty

## b. Specific Warranties for product categories are as follows:

Product Categories	Warranty Period
Soundbars	12 months
Televisions	12 Months
Intrusion Wireless Communication Accessories	12 Months
Analog Cameras	24 months
CCTV Power Supplies	24 months
In-Ceiling Speakers	24 months
Amplifiers	24 months
Magnetic Locks	24 Months
Request to Exit Devices	24 Months
Surge Protection	24 months
UPS (uninterruptible power supplies)	24 months
Volume Controls	24 months
Intrusion Audio Devices	30 months
Monitors	30 months
Video Baluns	30 months
DVR's, NVR's	60 Months
IP Cameras	60 Months
Racks	60 months
TV Mounts	60 months
PIR's	84 months
Analog Cables	Limited Lifetime
B Connectors	Limited Lifetime
Bus Terminals	Limited Lifetime
Extension Cords	Limited Lifetime
HDMI Cables	Limited Lifetime
Jacks, Cords and Intrusion Communication Accessories	Limited Lifetime
Patch Cables	Limited Lifetime
Raceway Conduit	Limited Lifetime
Wire Ties	Limited Lifetime
Magnetic Contacts	Limited Lifetime

# Limited Warranty

## 2. EXCLUSION OF WARRANTIES, LIMITATION OF LIABILITY

THERE ARE NO WARRANTIES OR CONDITIONS, W Box Technologies OR IMPLIED, OF MERCHANTABILITY, OR FITNESS FOR A PARTICULAR PURPOSE OR OTHERWISE, WHICH EXTEND BEYOND THE DESCRIPTION ON THE FACE HEREOF. TO THE FULLEST EXTENT PERMITTED BY LAW, IN NO CASE SHALL ADI BE LIABLE TO ANYONE FOR ANY (I) CONSEQUENTIAL, INCIDENTAL, INDIRECT, SPECIAL, OR PUNITIVE DAMAGES ARISING OUT OF OR RELATING IN ANY WAY TO THE PRODUCT AND, OR FOR BREACH OF THIS OR ANY OTHER WARRANTY OR CONDITION, W Box Technologies OR IMPLIED, OR UPON ANY OTHER BASIS OF LIABILITY WHATSOEVER, EVEN IF THE LOSS OR DAMAGE IS CAUSED BY ADI'S OWN NEGLIGENCE OR FAULT AND EVEN IF ADI HAS BEEN ADVISED OF THE POSSIBILITY OF SUCH LOSSES OR DAMAGES. Any product description (whether in writing or made orally by ADI or ADI's agents), specifications, samples, models, bulletin, drawings, diagrams, engineering sheets, or similar materials used in connection with the Buyer's order are for the sole purpose of identifying ADI's products and shall not be construed as a W Box Technologies warranty or condition. Any suggestions by ADI or ADI's agents regarding use, applications or suitability of the products shall not be construed as a W Box Technologies warranty or condition unless confirmed to be such in writing by ADI. ADI does not represent that the products it sells may not be compromised or circumvented; that the products will prevent any personal injury or property loss by burglary, robbery, fire or otherwise, or that the products will in all cases provide adequate warning or protection. Buyer understands and will cause its customer to understand that a properly installed and maintained product is not insurance or guarantee that such will not cause or lead to personal injury or property loss. CONSEQUENTLY ADI SHALL HAVE NO LIABILITY FOR ANY PERSONAL INJURY, PROPERTY DAMAGE OR OTHER LOSS BASED ON ANY CLAIM AT ALL INCLUDING A CLAIM THAT THE PRODUCT FAILED TO GIVE WARNING. However, if ADI is held liable whether directly or indirectly for any loss or damage with respect to the products it sells, regardless of cause or origin, its maximum liability shall not in any case exceed the purchase price of the product, which shall be fixed as liquidated damages and not as a penalty and shall be the complete and exclusive remedy against ADI.

## 3. Limitation on Liability to Buyer's Customers.

Buyer agrees to limit liability to its customers to the fullest extent permitted by law. Buyer acknowledges that ADI shall only be deemed to give consumers of its products such statutory warranties as may be required by law and at no time shall Buyer represent to its customers and/or users of ADI products that ADI provides any additional warranties. By accepting the products, to the fullest extent permitted by law, Buyer assumes all liability for, and agrees to indemnify and hold ADI harmless against

# Limited Warranty

and defend ADI from, any and all suits, claims, demands, causes of action and judgments relating to damages, whether for personal injury or to personal property, suffered by any person, firm, corporation or business association, including but not limited to, Buyer's customers and/or users of the products because of any failure of the products to detect and/or warn of the danger for which the goods were designed or any other failure of the products whether or not such damages are caused or contributed to by the sold or joint concurring negligence or fault of ADI.

## 4. Returns

Subject to the terms and conditions listed below, during the applicable warranty period, ADI will replace Product or provide a credit at purchase at its sole option free of charge any defective products returned prepaid. Any obligations of ADI to replace Limited Lifetime warranty products pursuant to this warranty which result from defect are limited to the availability of replacement product. ADI reserves the right to replace any such products with the then currently available products, or provide a credit in its sole discretion. In the event Buyer has a problem with any ADI product, please call your local ADI branch for return instructions:

For US call 1-800-233-6261

For Canada call 877-234-7378

For Puerto Rico call 787-793-8830

Be sure to have the model number and the nature of the problem available. In the event of replacement, the return product will be credited to Buyer's account and a new invoice issued for the replacement item. ADI reserves the right to issue a credit only in lieu of replacement.

If any W Box Technologies product is found to be in good working order or such product's inability to function properly is a result of user damage or abuse, the product will be returned to Buyer in the same condition as received and Buyer shall be responsible for any return freight changes.

## 5. Governing Law

The laws of State of New York apply to this Limited Warranty.

## 6. Miscellaneous

Where any term of this Limited Warranty is prohibited by such laws, it shall be null and void, but the remainder of the Limited Warranty shall remain in full force and effect.

# Introduction

Bravo et merci d'avoir acheté le caisson de basses pour plafond 0E-ICS8 W Box Technologies avec Sonic Vortex.

Notre technologie Sonic Vortex brevetée se base sur une conception d'enceinte à ligne de transmission portée, mais aussi intégrée et compacte. La plupart des haut-parleurs pour plafond ne comportent pas de boîte d'encastrement. Il est encore plus rare qu'ils soient équipés d'une enceinte, et seul le haut-parleur Sonic Vortex dispose d'une enceinte portée à ligne de transmission intégrée. S'il n'y a rien derrière le haut-parleur élémentaire, la musique sera non seulement diffusée dans la pièce où les haut-parleurs sont installés, mais aussi dans les pièces voisines telles que le grenier ou une chambre occupée. Cette situation nuit aux performances sonores et à la spatialisation.

L'enceinte Sonic Vortex dirige le son provenant du haut-parleur élémentaire vers la pièce prévue afin que vous puissiez profiter de vos haut-parleurs sans déranger le reste de la maison. Basse excellente, image stéréo et son puissant que vous n'obtiendrez avec aucun autre haut-parleur pour plafond.

Grâce à son système de montage par « levier » et ses grilles aimantées sans cadre, l'installation du caisson de basses 0E-ICS8 est nette, facile et rapide.

Veuillez suivre les instructions du présent manuel pour assurer une installation appropriée, mais aussi obtenir la performance optimale et la satisfaction que vous attendez des W Box Technologies.



# Emplacement du haut-parleur

Lorsque vous installez les caissons de basses ou haut-parleurs pour plafond, (ou que vous encastrerez tout autre appareil de ce genre au plafond), essayez toujours de savoir ce qui se trouve dans le plafond avant d'y percer des trous. Essayez de connaître l'emplacement de la plomberie, des éléments électriques et des éléments structurels pouvant gêner l'installation du haut-parleur.

## **Stéréo**

Essayez aussi de centrer les haut-parleurs stéréo par rapport à l'emplacement d'écoute principal prévu par l'utilisateur/des utilisateurs. Dans la mesure du possible, la distance qui sépare les haut-parleurs de droite et de gauche doit être égale à celle qui les sépare de l'emplacement d'écoute principal.

## **Caisson de basses**

Les caissons de basses sont omnidirectionnels. L'emplacement des caissons de basses pour plafond est donc relativement moins important, mais il peut être affecté (en bien et en mal) par les coins et les murs. Essayez donc de trouver un endroit qui sera relativement peu gêné par l'emplacement.

## **Surround**

Placez les haut-parleurs surround conformément aux recommandations du manuel d'utilisation du processeur surround.

# Installation

## CÂBLE POUR HAUT-PARLEUR

Installez un câble pour haut-parleur torsadé de calibre 16 entre l'amplificateur et chacun des haut-parleurs. Pendant la phase de pré-câblage, si les parois peuvent s'ouvrir et que l'opération est aisée, mettez un câble supplémentaire jusqu'à l'emplacement souhaité pour ajouter les haut-parleurs ultérieurement. Laissez une longueur de câble supplémentaire sur chaque extrémité pour permettre les raccordements et l'installation/le retrait des haut-parleurs.

Consultez le tableau ci-dessous pour déterminer le bon calibre de câble en fonction de la longueur de câble entre l'ampli et les haut-parleurs. Si vous utilisez le contrôle du volume, comptez la longueur totale entre l'ampli et le contrôle du volume, puis les haut-parleurs.

<b>TABLEAU DE CALIBRES DE CÂBLES POUR HAUT-PARLEURS</b>	
<b>LONGUEUR DE CÂBLE POUR HAUT-PARLEUR</b>	<b>CALIBRE DE CÂBLE POUR HAUT-PARLEUR</b>
150 pi. (46 m)	Calibre 16
400 pi. (122 m)	Calibre 14

## HABITATION NEUVE

L'installation des haut-parleurs W Box Technologies peut être facilitée par l'utilisation d'un 0E-EZBRACKET W Box Technologies pour habitation neuve (vendu séparément). Ce support est installé avant la cloison sèche et permet un placement précis et une installation finale simple des haut-parleurs.

## HABITATION EXISTANTE

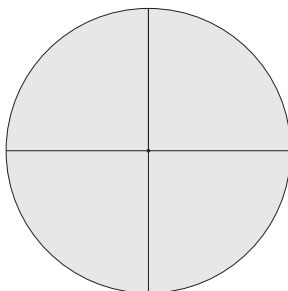
Le câble de chaque haut-parleur doit être acheminé depuis l'emplacement de l'équipement ou du contrôleur de volume vers l'emplacement potentiel du haut-parleur.

- Choisissez pour chaque haut-parleur un emplacement où il n'y a aucune obstruction créée par des solives, aucune conduite CVCA, aucun passage de fils électriques, aucune tuyauterie ni aucun élément qui ne laisse pas assez de profondeur au haut-parleur ou qui crée des interférences ou du bruit.



# Installation

- Une fois que les emplacements ont été déterminés, marquez le trou à réaliser pour le haut-parleur à l'aide du modèle fourni. N'oubliez pas de tenir compte des dimensions du cadre du haut-parleur si vous choisissez d'installer le haut-parleur près d'un mur latéral ou de tout autre élément pouvant être un obstacle.

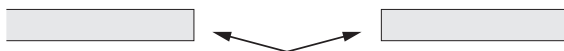


- Si vous ne savez pas si vous rencontrerez des obstacles, découpez avec précaution vos trous en prenant un angle vers l'intérieur de la zone de découpe. Cela vous permettra de « boucher » facilement le trou si nécessaire. Si la zone est dégagée et représente un bon emplacement pour le haut-parleur, poursuivez l'installation et découpez les bords de l'ouverture à 90 degrés pour pouvoir recevoir le diamètre du haut-parleur.

Découpez un trou à un angle quelconque au cas où le rapiéçage s'avère nécessaire



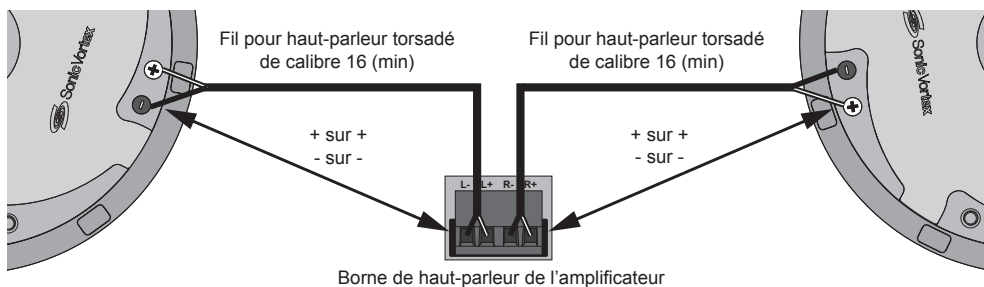
Découpez les extrémités à 90° si la zone est exempte d'obstructions



Découpez les extrémités à 90° si la zone est exempte d'obstructions

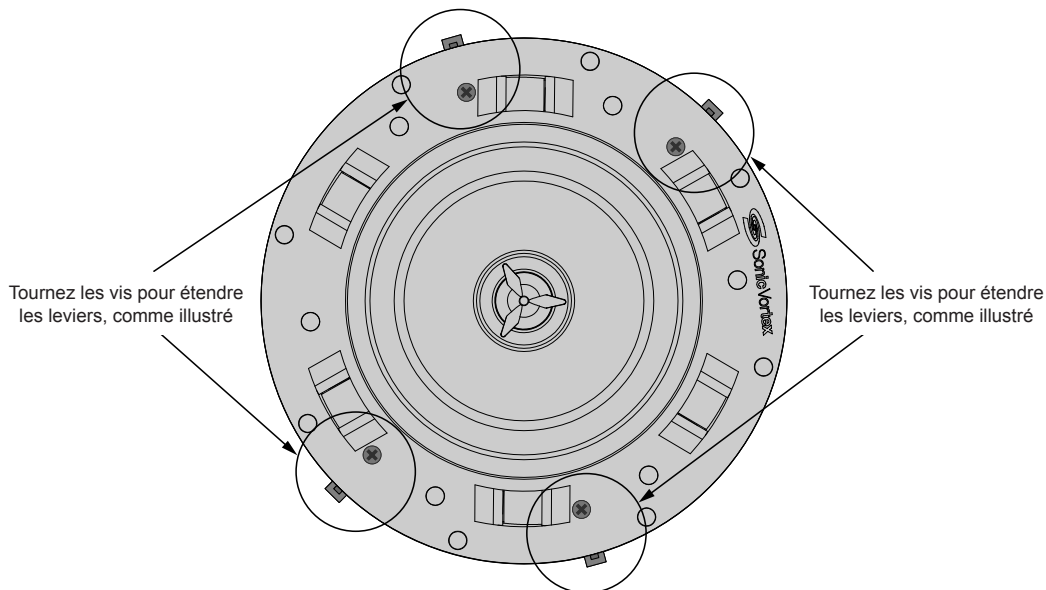
# Installation

- Dénudez la gaine isolante de chaque conducteur d'environ 0,5 po (12,7 mm) et insérez chaque conducteur dans les bornes du haut-parleur. Assurez-vous qu'aucun toron de câble ne ressorte des connecteurs, car ceci causerait des courts-circuits. Respectez la polarité (le + avec le + et le – avec le – pour chaque haut-parleur et au niveau de l'ampli) et vérifiez que les canaux surround sont correctement raccordés.



# Installation

- Une fois que les « leviers » sont alignés avec le côté du haut-parleur, encastrez le haut-parleur dans le plafond, puis serrez suffisamment chacune des quatre vis des « leviers » du haut-parleur pour pouvoir fixer le haut-parleur sur la cloison sèche. Ne serrez pas trop.



- Fixez la grille au caisson de basses. La grille se fixe avec des aimants. Il suffit donc de l'emboîter.

## PEINTURE

Vous pouvez peindre la grille, mais veillez à ne pas boucher les petits trous en appliquant la peinture. Ne peignez les grilles qu'après les avoir retirées des haut-parleurs. Avant de peindre, retirez le chiffon situé à l'arrière des grilles. Si vous n'enlevez pas le chiffon avant de peindre la grille, il absorbera la peinture et bouchera la grille, ce qui nuira considérablement à la qualité du son.

# Dépannage

Les haut-parleurs W Box Technologies sont conçus pour fonctionner sans problème. La plupart des problèmes qui surviennent ont une explication simple. Si vous rencontrez des problèmes, consultez la liste des solutions simples ci-dessous.

<b>DÉPANNAGE HAUT-PARLEUR</b>	
<b>PROBLÈME</b>	<b>SOLUTION</b>
AUCUN SON	Vérifiez que la source sélectionnée joue du contenu audio. Sélectionnez une autre source si nécessaire.
	Vérifiez si l'amplificateur est sous tension et correctement branché.
	Vérifiez les branchements au niveau des autres appareils, tels que le contrôleur de volume. Contournez temporairement le contrôleur si nécessaire.
	Si des haut-parleurs n'émettent aucun son, vérifiez que le contact entre les câbles et les bornes est bien avec le fil nu et non la gaine.

# Spécifications

Courbe de résonance :	36 à 400 Hz
Réglage du filtre passif/fréquence :	80 Hz et en dessous
Puissance RMS :	100 watts
Puissance maximale :	200 W
Haut-parleur élémentaire :	cône en IMPP (polypropylène moulé par injection) coloris argent de 8 po.
Impédance :	8 ohms
Diamètre de la grille :	11,2 po.
Diamètre de montage :	10,3 po.
Profondeur de montage :	8,6 po.
Style de montage :	4 « leviers » de débrayage
Grille :	grille aimantée sans cadre

# Garantie limitée

## 1. Garantie limitée

### a. Généralités

Sous réserve des modalités de la présente garantie limitée, à compter de la date de vente et pendant la période de garantie applicable aux catégories de produits précisée au paragraphe 1b), ADI garantit que ses produits W Box Technologies sont libres de tout vice de matériaux et de fabrication dans des conditions d'utilisation et d'entretien normales, sauf l'usure normale. Sauf si les lois l'exigent, la présente garantie limitée est offerte uniquement à l'acheteur et ne peut être transférée à un tiers.

ADI n'a aucune obligation aux termes de la présente garantie limitée ou autrement dans les circonstances suivantes :

- i. le produit est mal installé, appliqué ou entretenu;
- ii. le produit est installé de manière non conforme aux paramètres d'exploitation indiqués, modifié ou mal entretenu ou réparé;
- iii. le produit est endommagé par des phénomènes naturels extérieurs comme la foudre, une surcharge, un incendie, une inondation, une force majeure ou un phénomène similaire;
- iv. les défauts du produit résultent d'une modification non autorisée, d'une mauvaise utilisation, d'un acte de vandalisme ou d'autres causes non liés aux vices de matériaux ou de fabrication, ou à une défaillance des piles de quelque type que ce soit utilisées avec les produits vendus aux termes des présentes.

ADI ne garantit que les produits portant la marque W Box Technologies qu'elle vend. Les autres produits portant une marque de tiers sont garantis par le fabricant tiers pendant une période définie par ce dernier, et ADI cède à l'acheteur ces garanties et uniquement les garanties offertes par ces fabricants tiers ou vendeurs à l'égard de produits ne portant pas ses marques. ADI ne garantit pas de produits ne portant pas ses marques et vend ces produits tels quels, conformément à ses modalités de vente.

**b. Les garanties particulières applicables aux catégories de produits sont les suivantes :**

Catégories de produits	Période de la garantie
Téléviseurs	12 mois
Accessoires de communication d'intrusion sans fil	12 mois
Barres de son	12 mois
UPS (systèmes d'alimentation sans coupure)	24 mois

# Garantie limitée

Caméras analogiques	24 mois
Blocs d'alimentation CCTV	24 mois
Contrôles du volume	24 mois
Protection contre les surcharges	24 mois
Haut-parleurs pour le plafond	24 mois
Modules de requête de sortie	24 mois
Mise à jour des serrures magnétiques	24 mois
Serrures magnétiques	24 mois
Amplificateurs	24 mois
Écrans	30 mois
Balluns vidéo	30 mois
Système d'alarme anti-intrusion	30 mois
Bâtis	60 mois
Supports de télévision	60 mois
Caméras IP	60 mois
DVR, NVR	60 mois
Détecteurs de mouvement infrarouge	84 mois
Attaches pour câbles	À vie limitée
Câbles analogiques	À vie limitée
Câbles de raccordement	À vie limitée
Bornes de bus	À vie limitée
Connecteurs B	À vie limitée
Cordes d'extension	À vie limitée
Contacts magnétiques	À vie limitée
Bloc modulaire, câbles et accessoires de communication	À vie limitée
Conduits cache-fil	À vie limitée
Câbles HDMI	À vie limitée

## 2. EXCLUSION DE GARANTIES ET LIMITATION DE RESPONSABILITÉ

IL N'EXISTE AUCUNE GARANTIE OU CONDITION, EW Box TechnologiesE OU IMPLICITE, DE QUALITÉ MARCHANDE, D'ADAPTATION À UNE FIN PARTICULIÈRE OU AUTRE QUI DÉPASSE LE CADRE DE LA DESCRIPTION FOURNIE AU RECTO DES PRÉSENTES. DANS LA PLEINE MESURE PERMISE PAR LA LOI, ADI NE SAURAIT EN AUCUN CAS ÊTRE TENUE RESPONSABLE

# Garantie limitée

ENVERS QUICONQUE DES DOMMAGES CONSÉCUTIFS, INDIRECTS, SPÉCIAUX OU PUNITIFS DÉCOULANT DU PRODUIT OU LIÉS À CELUI-CI DE QUELQUE FAÇON QUE CE SOIT ET/OU DU NON-RESPECT DE LA PRÉSENTE GARANTIE OU DE TOUTE AUTRE GARANTIE OU CONDITION, EW Box TechnologiesE OU IMPLICITE, OU DE TOUTE AUTRE RÉCLAMATION FONDÉE SUR LA RESPONSABILITÉ, MÊME SI LA PERTE OU LES DOMMAGES SONT CAUSÉS PAR LA NÉGLIGENCE OU LA FAUTE D'ADI ET MÊME SI CETTE DERNIÈRE A ÉTÉ AVISÉE DE LA POSSIBILITÉ QUE DE TELLES PERTES OU DE TELS DOMMAGES SURVIENNENT. Les descriptions de produits (fournies par écrit ou verbalement par ADI ou ses mandataires), caractéristiques techniques, échantillons, modèles, bulletins, dessins, diagrammes, esquisses techniques ou documents similaires utilisés par l'acheteur pour passer une commande visent uniquement à décrire les produits d'ADI et ne doivent pas être interprétés comme des garanties ou conditions eW Box Technologises. Les suggestions faites par ADI ou ses mandataires au sujet de l'utilisation, de l'application ou du caractère appropriés des produits ne doivent pas être interprétées comme des garanties ou conditions eW Box Technologises, sauf si ADI confirme par écrit qu'il s'agit de garanties ou de conditions eW Box Technologises. ADI ne garantit pas qu'il n'y aura aucune atteinte à l'intégrité des produits qu'elle vend ou que les produits qu'elle vend ne seront pas contournés, qu'ils préviendront les blessures ou les pertes matérielles en cas de cambriolage, de vol, d'incendie ou autrement ou qu'ils constitueront dans tous les cas une protection ou un avertissement approprié. L'acheteur comprend qu'un produit dûment installé et entretenu permet uniquement de réduire le risque de cambriolage, de vol ou d'incendie sans avertissement, mais qu'il ne constitue pas une assurance ou une garantie qu'un tel événement ne se produira pas ou qu'il n'entraînera pas des blessures ou des pertes matérielles. PAR CONSÉQUENT, ADI NE SAURAIT ÊTRE TENUE RESPONSABLE DES BLESSURES, DES DOMMAGES MATÉRIELS OU D'AUTRES PERTES FAISANT L'OBJET D'UNE RÉCLAMATION, Y COMPRIS UNE RÉCLAMATION SELON LAQUELLE LE PRODUIT N'AURAIT PAS DONNÉ DE SIGNAL D'AVERTISSEMENT. Toutefois, si ADI est tenue responsable, directement ou indirectement, de pertes ou de dommages à l'égard des produits qu'elle vend, quelle qu'en soit la cause ou l'origine, sa responsabilité n'excédera en aucun cas le prix d'achat du produit, dont le remboursement sera exigé à titre de dommages-intérêts extrajudiciaires et non d'amende, et il s'agira du recours exclusif et intégral pouvant être exercé contre ADI.

### **3. Limitation de la responsabilité envers les clients de l'acheteur.**

L'acheteur s'engage à limiter la responsabilité envers ses clients dans la pleine mesure permise par la loi. L'acheteur reconnaît qu'ADI ne sera réputée avoir fourni aux consommateurs de ses produits que les garanties qui sont exigées par la loi. L'acheteur ne doit en aucun cas déclarer à ses clients et/ou aux utilisateurs des produits d'ADI que cette dernière offre d'autres garanties. Par l'acceptation des produits, l'acheteur assume, dans la pleine mesure permise par la loi, la pleine



# Garantie limitée

responsabilité à l'égard de toutes les poursuites, réclamations, mises en demeure et causes d'action et à l'égard de tous les jugements se rapportant à des dommages-intérêts, que ce soit pour des préjudices personnels ou des dommages matériels, subis par une personne, une firme, une société ou une association commerciale, y compris les clients de l'acheteur et/ou les utilisateurs des produits, en raison de toute omission de la part des produits de déceler le danger pour la détection duquel ils sont conçus et/ou de donner l'alerte de ce danger ou un avertissement de toute autre défaillance des produits, que ces dommages aient été causés par la négligence dont ADI est l'auteur ou le coauteur, et il tiendra ADI à couvert à cet égard et prendra fait et cause pour lui.

## 4. Retours

Sous réserve des modalités énumérées ci-après, durant la période de garantie applicable, ADI remplacera le produit ou donnera une note de crédit à l'achat, à son gré et sans frais, à l'égard de tout produit défectueux qui lui est retourné. L'obligation qui incombe à ADI de remplacer le produit visé par une garantie à vie limitée aux termes de la garantie en question si celui-ci est défectueux se limite à la disponibilité d'un produit de remplacement. ADI se réserve le droit de remplacer un produit défectueux par le produit qui est disponible à ce moment-là, ou de donner une note de crédit, à son gré. Si l'acheteur a un problème avec un produit d'ADI, il doit appeler sa succursale ADI locale pour connaître la marche à suivre pour retourner le produit.

Aux États-Unis, composer le 1 800 233-6261

Au Canada, composer le 877 234-7378

À Porto Rico, composer le 787 793-8830

L'acheteur doit avoir en main le numéro du modèle et décrire la nature du problème. En cas de remplacement, le prix du produit retourné sera porté au crédit du compte de l'acheteur et une nouvelle facture sera établie pour le produit de remplacement. ADI se réserve le droit de donner une note de crédit plutôt que de remplacer le produit.

Si l'on établit que le produit W Box Technologies n'est pas défectueux ou que son mauvais fonctionnement résulte d'une utilisation abusive ou de dommages causés par l'utilisateur, le produit sera retourné à l'acheteur dans le même état que celui dans lequel il a été reçu et l'acheteur devra acquitter les frais de transport.

# Garantie limitée

## 5. Lois applicables

Les lois de l'État de New York s'appliquent à la présente garantie limitée.

## 6. Modalités diverses

Si une modalité de la présente garantie limitée est interdite par ces lois, elle sera nulle, mais le reste de la présente garantie limitée demeurera pleinement en vigueur.

# Remarques

0E-ICS8



TECHNOLOGIES

