

Introduction

Congratulations and thank you for purchasing W Box Technologies 0E-HDMIEXTDR.

0E-HDMIEXTDR is an HDMI extender over a single Cat5e/6 cable. It is capable of transmitting full 1080p HD video, HD audio and bi-directional IR control together up to 130ft.

It features EDID DIP switch on transmitter and EQ DIP switch on receiver in the event of installation difficulties. The extender provides affordable, high quality HDMI signal transmission solutions for your audio/video and IR control needs.

Please follow the instructions in this manual to assure proper installation and to achieve the full performance and satisfaction you would expect from W Box Technologies.

Features

- Easy to use, one pair as a full functional module
- HDMI and Bi-directional IR pass through
- 1080P@60Hz up to 130ft over a single Cat5e/6 cable
- Built-in ESD and surge protection
- HDMI 1.3a and 3D formats compliant
- Supports HDMI or DVI inputs
- Bi-directional IR control
- Transfers IR control signal together with the HDMI signal

Package Contents

Before you start the installation, please check the package contents:

- 1 x 0E-HDMIEXTDR
- 2 x 12V 0.5A DC Power Supply
- 1 x IR Emitter
- 1 x IR Receiver (30-50KHz)
- 2 x Mounting Brackets (Pair)
- 1 x User Manual
- 1 x Datasheet

Panel

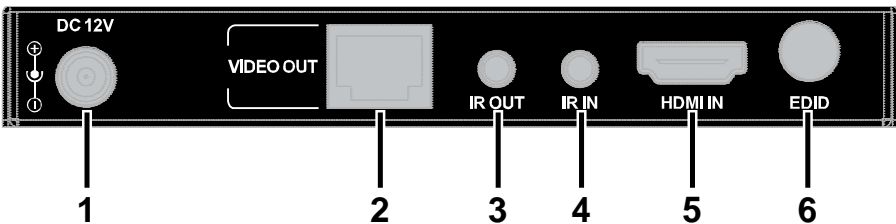
Transmitter

Front Panel



ID.	Name	Description
1	Power	On: Indicates that the transmitter is powered on.
2	Status	Solid On: When both status LEDs in transmitter and receiver turn solid on, it indicates that the network is active and video can be shown on the display.

Rear Panel

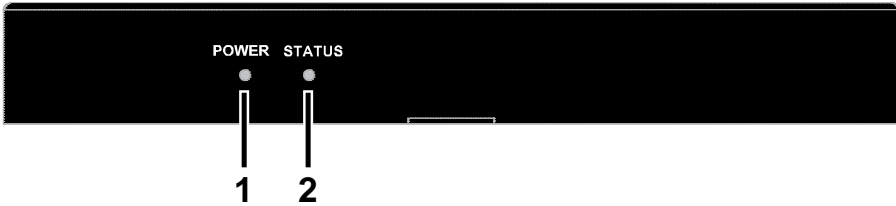


ID.	Name	Description
1	Power	12V 0.5A DC power supply input
2	VIDEO OUT	Connects this RJ45 port to the receiver via a single Cat5e/6 cable for video output.

ID.	Name	Description
3	IR OUT	Connects to an IR emitter
4	IR IN	Connects to an IR receiver (30-50KHz)
5	HDMI IN	Connects to an HDMI source
6	EDID	Adjusts the EDID for outputting the desired video resolution.

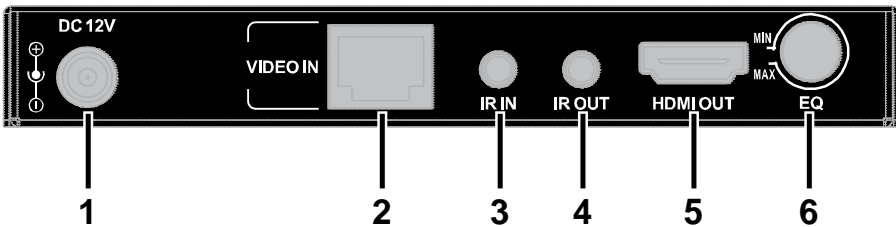
Receiver

Front Panel



ID.	Name	Description
1	Power	Solid On: Indicates that the receiver is powered on.
2	Status	Solid On: When both status LEDs in transmitter and receiver turn solid on, it indicates that the network is active and video can be shown on the display.

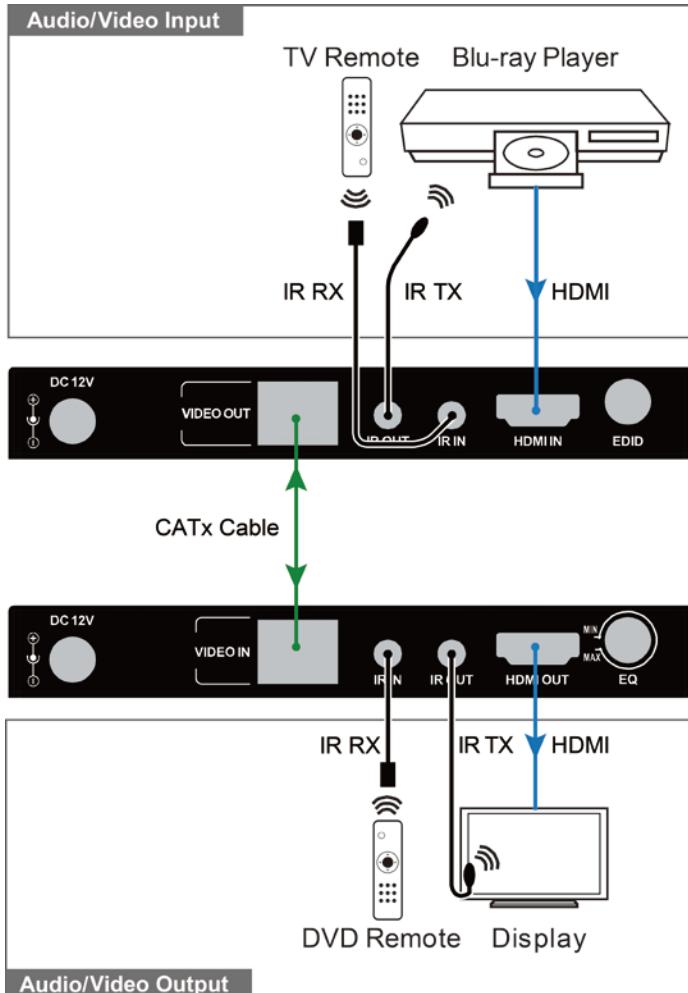
Rear Panel



ID.	Name	Description
1	Power	12V 0.5A DC power supply input
2	VIDEO IN	Connects this RJ45 port to the transmitter via a single Cat5e/6 cable for video input.
3	IR IN	Connects to an IR receiver (30-50KHz)
4	IR OUT	Connects to an IR emitter
5	HDMI OUT	Connects to an HDMI display
6	EQ	Adjusts the equalization (EQ) for the Cat 5e/6 cable lengths.

Installation

1. Connect an HDMI source (such as a Blu-ray player) to the transmitter.
2. Connect transmitter and receiver with a Cat5e/6 cable.
3. Connect an HDMI display to the receiver.
4. Connect the IR emitters and IR receivers.
5. Power on all the devices. Now you can adjust the panel EDID and EQ DIP switches to obtain the desired viewing experience.



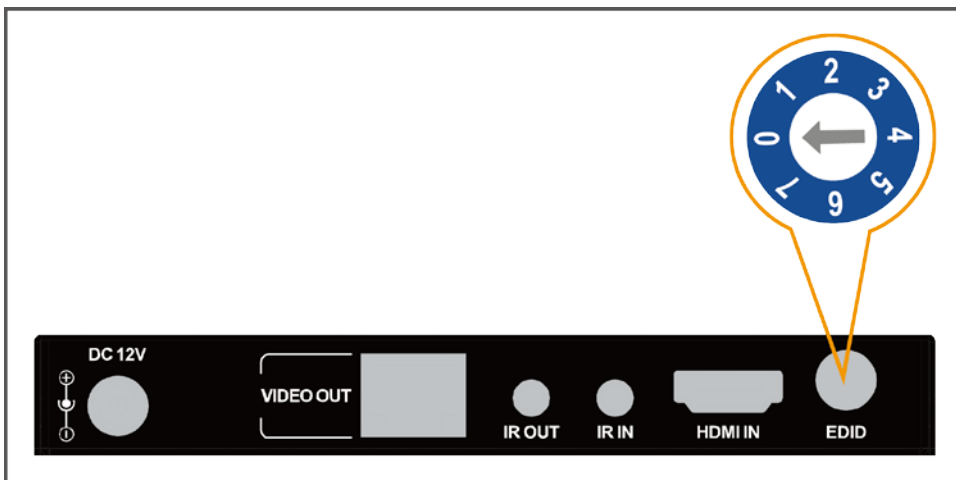
DIP Switch Description

EDID Management

EDID Overview

The transmitter features EDID management, which provides multiple EDID options for outputting various resolutions, ensuring that the HDMI source reliably delivers correct content to the display.

To change EDID settings, use a small flat bladed screwdriver to turn the panel rotary switch towards the desired EDID number. The switch has click positions to make sure the arrow is pointing at a number, not in-between. There is need to repower the unit when adjusting EDID settings. The unit will then automatically apply the new settings immediately.



Position	Functions
0 (default)	1080p, Stereo
1	1080p, 5.1
2	EDID Copy Mode (Copy EDID from Display)
3	1080i, Stereo
4	(Reserved)

Position	Functions
5	(Reserved)
6	(Reserved)
7	(Reserved)

Note:

If EDID Copy failed, a fixed 1080P@60Hz Stereo EDID would be provided to source device.

Managing the EDID Information

By default, the EDID DIP switch is in the "0" position, outputting 1080p, stereo to display. Through this switch, you can copy EDID information from the display or directly use the fixed EDID information.

Copying EDID from the Display

1. Ensure that the display is powered on and connected to the receiver.
2. Ensure that transmitter and receiver are properly connected to each other that their status LEDs are both solid on.
3. Locate the EDID DIP switch (outlined in the figure above) in the transmitter panel.
4. Move the switch to the "2" position.
5. Repower the transmitter for the changes to take effect. When an active source is available, it will output the best video to the display based on the display's EDID information.

Note:

If no display device has been connected to the receiver, the transmitter outputs the factory default resolution (1080p, stereo) to the display.

Using the Fixed EDID

1. Ensure that the display is powered on and connected to the receiver.
2. Ensure that transmitter and receiver are properly connected to each other that their status LEDs are both solid on.
3. Locate the EDID DIP switch (outlined in the figure above) in the transmitter panel.
4. Ensure that the display supports the desired EDID resolution. Otherwise, the display may show no picture.
5. Toggle the switch to the position "0", "1" or "3" (see the table above for detailed EDID information).
6. Repower the transmitter for the changes to take effect. When an active source is

available, it will output the fixed resolution to the display.

Note:

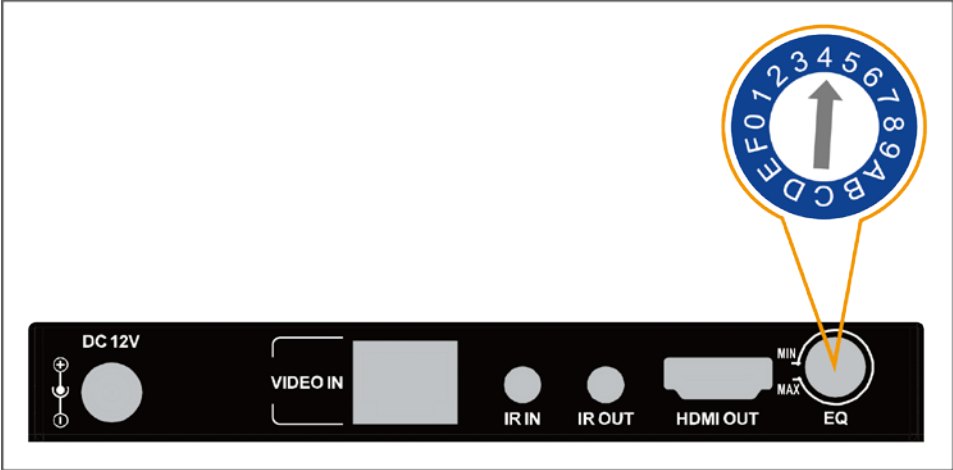
The fixed EDID function works properly even if no display is connected to the receiver.

EQ Management

EQ Overview

The receiver features equalization (EQ) management, which provides multiple EQ options for adjusting the EQ for the Cat 5e/6 cable lengths until you have the best picture quality.

To change EQ settings, use a small flat bladed screwdriver to turn the panel rotary switch towards the desired EQ number. The switch has click positions to make sure the arrow is pointing at a number, not in-between. There's no need to repower the unit when adjusting EQ settings. The unit will then automatically apply the new setting immediately.



Situations	Positions
When the Cat 5e/6 cable is in the range of 0 to 10 meters.	Set positions 0 through 3
When the Cat 5e/6 cable is in the range of 10 to 30 meters.	Set positions 2 through 6 (4 by default)

Situations	Positions
When the Cat 5e/6 cable is in the range of 30 to 40 meters.	Set positions 4 through 7
Reserved	Positions 8 through F

Adjusting the EQ Value

By default, the EQ DIP switch is in the "4" position, allowing you to use a Cat 5e/6 cable in the range of 10 meters to 30 meters. Through this switch, you can adjust the desired EQ value based on the actual cable length, obtaining a better viewing experience. If your Cat 5e/6 cable is 20 meters long, follow the instructions below to adjust the EQ value.

1. Ensure that the display is powered on and connected to the receiver.
2. Ensure that transmitter and receiver are properly connected to each other, and that their status LEDs are both solid on.
3. Locate the EQ DIP switch (outlined in the figure above) in the receiver panel.
4. Move the switch to cycle through positions 2 to 6.

Troubleshooting

W Box Technologies products are designed to function trouble-free. Most problems that occur are due to simple issues. If you have trouble, please check the list of simple fixes below.

EXTENDER TROUBLESHOOTING	
PROBLEM	SOLUTION
STATUS LED OFF	Ensure that the devices are powered on.
	Check that the cables are qualified and connected properly.
	Check that the source input is active.
	Check that the display works properly.
NO IMAGE	Verify that all the devices are powered on, and that all the cables are qualified and connected properly.
	Verify that a picture is achieved when connecting the source to the display directly.
	Check the EDID and EQ values. For more information, see "DIP Switch Description".

Specification

Technical	
Input / Output	Transmitter: 1 x RJ45 port 1 x HDMI IN 1 x IR IN 1 x IR OUT Receiver: 1 x RJ45 Port 1 x HDMI OUT 1 x IR IN 1 x IR OUT
Input/Output Signal Type	HDMI: HDMI 1.3a
Input/Output Resolution Supported	1920 x 1080@60/50/30/25/24Hz, 1280 x 720@60/50/30/25/24Hz, 720 x 576@50Hz, 720 x 480@60Hz
Input Video Signal	1.2 V p-p
Input DDC Signal	5 V p-p (TTL)
Data Rate	2.25 Gbps (Max.)
Output Audio	DTS-HD, Dolby-HD
IR Wavelength	940 nm
IR Frequency	38 KHz
Maximum Distance	130 feet (40 meters)

General	
Power Supply	12 VDC 0.5 A (for each unit)
Power Consumption	5 W (Max.)
Operating Temperature	+32°F to +113°F (0°C to +45°C) 10% to 90%, non-condensing
Storage Temperature	-4°F to +158°F (-20°C to +70°C) 10% to 90%, non-condensing
ESD Protection	Human Body Model: ±8kV (air-gap discharge)/ ±4kV (contact discharge)
Dimensions	5" x 2.12" x 0.67" (127mm x 54mm x 17mm)
Weight	0.66lb / 0.3kg (Pairs)
Certification	CE, FCC, RoHS

Limited Warranty

1. Limited Warranty

a. General

Subject to the terms and conditions of this Limited Warranty, from the date of sale through the period of time for product categories specified in Section 1(b), ADI warrants its W Box Technologies products to be free from defects in materials and workmanship under normal use and service, normal wear and tear excepted. Except as required by law, this Limited Warranty is only made to Buyer and may not be transferred to any third party.

ADI shall have no obligation under this Limited Warranty or otherwise if:

- (i) The product is improperly installed, applied or maintained;
- (ii) The product is installed outside of stated operating parameters, altered, or improperly serviced or repaired;
- (iii) Damage is caused by outside natural occurrences, such as lightning, power surges, fire, floods, acts of nature, or the like.
- (iv) Defects resulting from unauthorized modification, misuse, vandalism, or other causes
- (v) Unrelated to defective materials or workmanship, or failures related to batteries of any type used in connection with the products sold hereunder.

ADI only warrants those products branded as W Box Technologies products and sold by ADI. Any other products branded by third parties are warranted by the third party manufacturer for a period as defined by the third party manufacturer, and ADI assigns to Buyer those warranties and only those warranties extended by such third party manufacturers or vendors for non-ADI branded products. ADI

does not itself warrant any non-ADI branded product and sells only on an as is basis in accordance with ADI's terms and conditions of sale.

b. Specific Warranties for product categories are as follows:

Product Categories	Warranty Period
Soundbars	12 months
Walk Through Metal Detectors	12 months
Intrusion Wireless Communication Accessories	12 months
Analog Cameras	24 months
HD TVI Cameras and HD TVI DVR's	24 months
Televisions	24 months
CCTV Power Supplies	24 months
In Ceiling Speakers	24 months
Amplifiers	24 months
Magnetic Locks	24 months
Request to Exit Devices	24 months
Surge Protection	24 months
UPS (uninterruptible power supplies)	24 months
Volume Controls	24 months
HDMI Distribution	24 months
Intrusion Audio Devices	30 months
Monitors	30 months
Power and Relays	30 months
Hold-up Buttons	30 months
Video Baluns	30 months
DVR's, NVR's	60 months
IP Cameras	60 months
Racks	60 months
TV Mounts	60 months

Product Categories	Warranty Period
PIR's	60 months
Analog Cables	Limited Lifetime
B Connectors	Limited Lifetime
Bus Terminals	Limited Lifetime
Extension Cords	Limited Lifetime
HDMI Cables	Limited Lifetime
Jacks, Cords and Intrusion Communication Accessories	Limited Lifetime
Patch Cables	Limited Lifetime
Patch Panels	Limited Lifetime
Raceway Conduit	Limited Lifetime
Wire Ties	Limited Lifetime
Magnetic Contacts	Limited Lifetime

2. EXCLUSION OF WARRANTIES, LIMITATION OF LIABILITY

THERE ARE NO WARRANTIES OR CONDITIONS, EXPRESS OR IMPLIED, OF MERCHANTABILITY, OR FITNESS FOR A PARTICULAR PURPOSE OR OTHERWISE, WHICH EXTEND BEYOND THE DESCRIPTION ON THE FACE HEREOF. TO THE FULLEST EXTENT PERMITTED BY LAW, IN NO CASE SHALL ADI BE LIABLE TO ANYONE FOR ANY (I) CONSEQUENTIAL, INCIDENTAL, INDIRECT, SPECIAL, OR PUNITIVE DAMAGES ARISING OUT OF OR RELATING IN ANY WAY TO THE PRODUCT AND/OR FOR BREACH OF THIS OR ANY OTHER WARRANTY OR CONDITION, EXPRESS OR IMPLIED, OR UPON ANY OTHER BASIS OF LIABILITY WHATSOEVER, EVEN IF THE LOSS OR DAMAGE IS CAUSED BY ADI'S OWN NEGLIGENCE OR FAULT AND EVEN IF ADI HAS BEEN ADVISED OF THE POSSIBILITY OF SUCH LOSSES OR DAMAGES. Any product description (whether in writing or made orally by ADI or ADI's agents), specifications, samples, models, bulletin, drawings, diagrams, engineering sheets, or similar materials used in connection with the Buyer's order are for the sole purpose of identifying ADI's products and shall not be construed as an express warranty or condition. Any suggestions by ADI or ADI's agents regarding use, applications or suitability of the products shall not be construed as an express warranty or condition unless confirmed to be such in writing by ADI. ADI does not represent that the products it sells may not be compromised or circumvented; that the products will prevent any personal injury or property loss by burglary, robbery, fire or otherwise, or that the products will in all cases provide adequate warning or protection. Buyer understands and will cause its customer to understand that a properly installed and maintained product is not insurance or guarantee that such will not cause or lead to personal injury or property loss. CONSEQUENTLY ADI SHALL HAVE NO LIABILITY FOR ANY PERSONAL INJURY,

PROPERTY DAMAGE OR OTHER LOSS BASED ON ANY CLAIM AT ALL INCLUDING A CLAIM THAT THE PRODUCT FAILED TO GIVE WARNING. However, if ADI is held liable whether directly or indirectly for any loss or damage with respect to the products it sells, regardless of cause or origin, its maximum liability shall not in any case exceed the purchase price of the product, which shall be fixed as liquidated damages and not as a penalty and shall be the complete and exclusive remedy against ADI.

3. Limitation on Liability to Buyer's Customers.

Buyer agrees to limit liability to its customers to the fullest extent permitted by law. Buyer acknowledges that ADI shall only be deemed to give consumers of its products such statutory warranties as may be required by law and at no time shall Buyer represent to its customers and/or users of ADI products that ADI provides any additional warranties. By accepting the products, to the fullest extent permitted by law, Buyer assumes all liability for, and agrees to indemnify and hold ADI harmless against and defend ADI from, any and all suits, claims, demands, causes of action and judgments relating to damages, whether for personal injury or to personal property, suffered by any person, firm, corporation or business association, including but not limited to, Buyer's customers and/or users of the products because of any failure of the products to detect and/or warn of the danger for which the goods were designed or any other failure of the products whether or not such damages are caused or contributed to by the sold or joint concurring negligence or fault of ADI.

4. Returns

Subject to the terms and conditions listed below, during the applicable warranty period, ADI will replace Product or provide a

credit at purchase at its sole option free of charge any defective products returned prepaid. Any obligations of ADI to replace Limited Lifetime warranty products pursuant to this warranty which result from defect are limited to the availability of replacement product. ADI reserves the right to replace any such products with the then currently available products, or provide a credit in its sole discretion. In the event Buyer has a problem with any ADI product, please call your local ADI branch for return instructions:

For US call 1-800-233-6261

For Canada call 877-234-7378

For Puerto Rico call 787-793-8830

Be sure to have the model number and the nature of the problem available. In the event of replacement, the return product will be credited to Buyer's account and a new invoice issued for the replacement item. ADI reserves the right to issue a credit only in lieu of replacement.

If any W Box Technologies product is found to be in good working order or such product's inability to function properly is a result of user damage or abuse, the product will be returned to Buyer in the same condition as received and Buyer shall be responsible for any return freight changes.

5. Governing Law

The laws of State of New York apply to this Limited Warranty.

6. Miscellaneous

Where any term of this Limited Warranty is prohibited by such laws, it shall be null and void, but the remainder of the Limited Warranty shall remain in full force and effect.

Introduction

Félicitations et merci d'avoir acheté W Box Technologies 0E-HDMIEXTDR.

0E-HDMIEXTDR est un amplificateur HDMI avec un seul câble Cat5e/6. Il est capable de transmettre une vidéo Full HD 1080p, un audio HD et une commande IR bidirectionnelle en même temps sur une distance allant jusqu'à 130 pi.

Il dispose de commutateur EDID DIP sur l'émetteur et commutateur EQ DIP sur le récepteur en cas de difficultés d'installation. L'amplificateur offre des solutions de transmission de signaux HDMI abordables et de haute qualité répondant à vos besoins en matière d'audio/vidéo et de commande IR.

Veillez suivre les instructions du présent manuel pour assurer une installation appropriée, mais aussi obtenir la performance optimale et la satisfaction que vous attendez des W Box Technologies.

Caractéristiques

- Facile à utiliser, une paire comme module fonctionnel complet
- Passage HDMI et IR bidirectionnel
- 1080p à 60 Hz sur une distance allant jusqu'à 130 pi. avec un seul câble Cat5e/6
- Protection contre les surtensions et les DES intégrée
- Homologué HDMI 1.3a avec formats 3D
- Prise en charge d'entrées HDMI ou DVI
- Commande IR bidirectionnelle
- Transfert du signal de commande IR en même temps que le signal HDMI

Contenu de l'emballage

Avant de commencer l'installation de la matrice, veuillez vérifier le contenu de l'emballage.

- 1 x 0E-HDMIEXTDR
- 2 x alimentations électriques CC, 12 V, 0,5 A
- 1 x émetteur IR
- 1 x récepteur IR (30 à 50 kHz)
- 2 x supports de montage (paire)
- 1 x manuel d'utilisation
- 1 x fiche d'information

Panneau

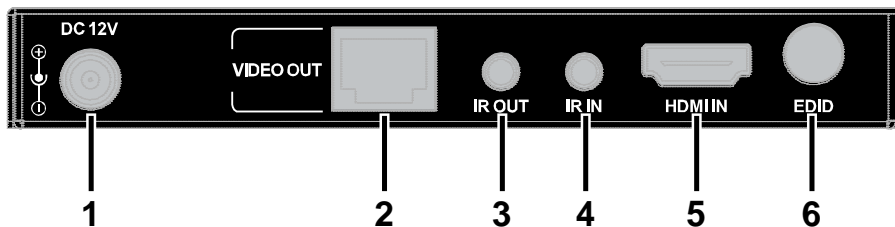
Transmetteur

Panneau avant



Identification	Nom	Description
1	Alimentation	Affichage de l'état de l'alimentation
2	Statut	Connecte ce port RJ45 au récepteur via un seul câble Cat5e/6 pour la sortie vidéo.

Panneau arrière



Identification	Nom	Description
1	Alimentation 1	Entrée pour l'alimentation électrique CC, 12 V, 0,5 A
2	SORTIE VIDÉO	Port RJ45
3	SORTIE IR	Connexion à un émetteur IR
4	ENTRÉE IR	Connexion à un récepteur IR (30 à 50 kHz)
5	ENTRÉE HDMI	Connexion à une source HDMI
6	EDID	Règle l'EDID pour transmettre la résolution vidéo souhaitée.

Récepteur

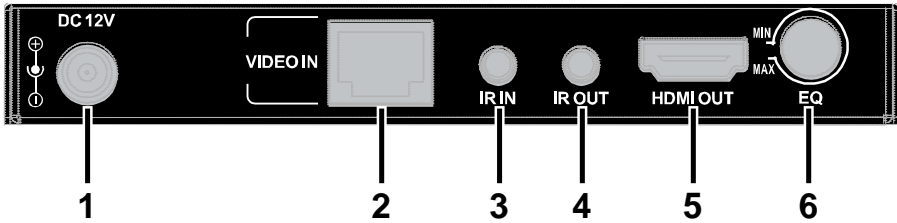
Panneau avant



Identification	Nom	Description
1	Alimentation	Affichage de l'état de l'alimentation
2	Statut	Affichage du statut du signal HDMI, ce voyant s'allume s'il y a un signal

HDMI

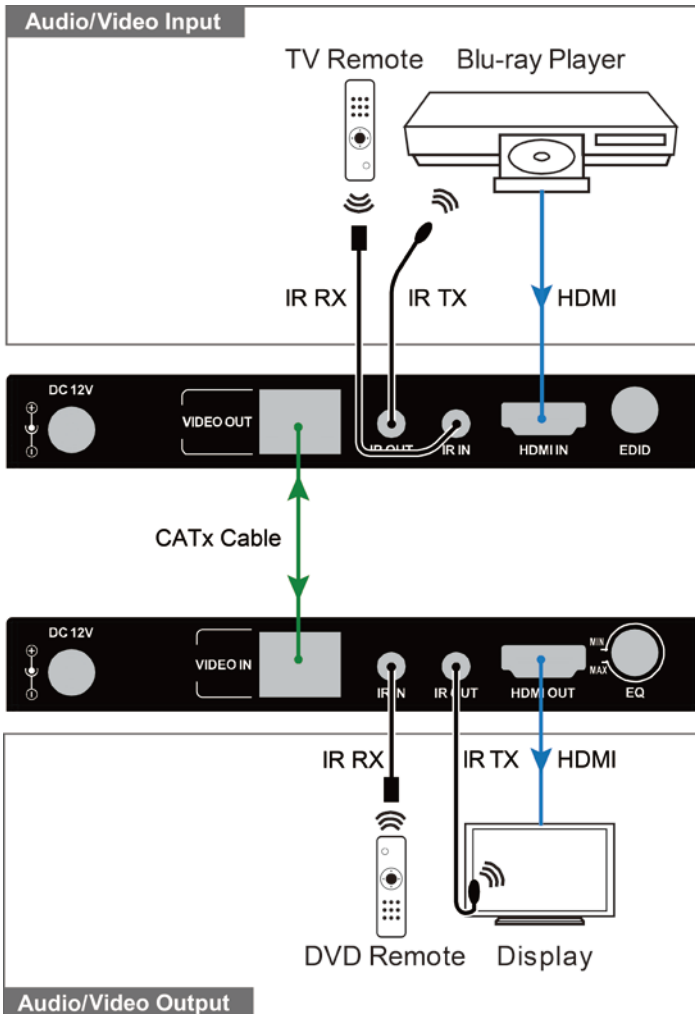
Panneau arrière



Identification	Nom	Description
1	Alimentation 1	Entrée pour l'alimentation électrique CC, 12 V, 0,5 A
2	ENTRÉE VIDÉO	Connecte ce port RJ45 au transmetteur via un seul câble Cat5e/6 pour l'entrée vidéo.
3	ENTRÉE IR	Connexion à un récepteur IR (30 à 50 kHz)
4	SORTIE IR	Connexion à un émetteur IR
5	SORTIE HDMI	Connexion à un écran HDMI
6	EQ	Règle l'égalisation (EQ) selon la longueur du câble Cat5e/6.

Instructions d'installation

1. Connectez une source HDMI (par exemple, un lecteur DVD) au transmetteur.
2. Connectez le transmetteur et le récepteur à l'aide d'un câble Cat5e.
3. Connectez un écran HDMI (par exemple, HD-LCD) au récepteur.
4. Connectez l'unité du récepteur IR à l'ENTRÉE IR du transmetteur, et connectez l'unité de l'émetteur IR à la SORTIE IR du récepteur.
5. Mettez tous les appareils sous tension.



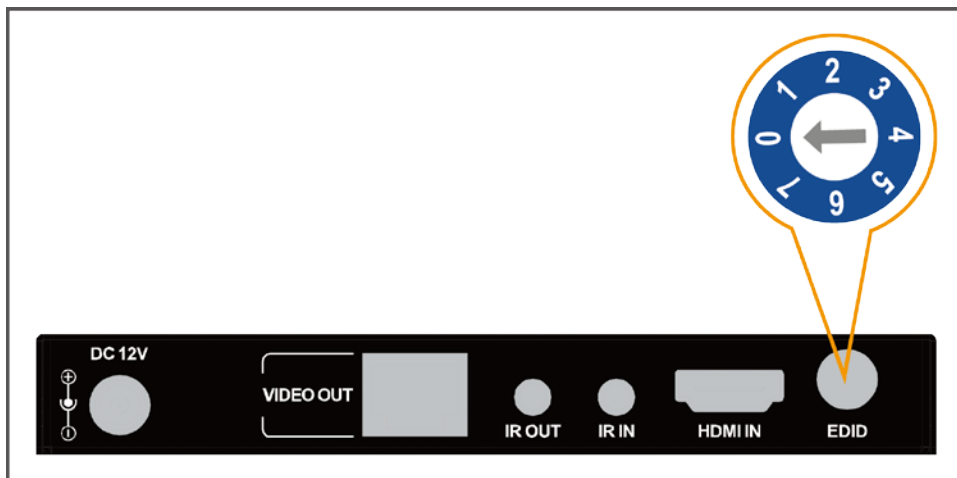
Description de l'interrupteur DIP

Gestion EDID

Présentation d'EDID

Le transmetteur est doté d'une gestion EDID qui offre de nombreuses options EDID pour transmettre plusieurs résolutions, permettant ainsi de s'assurer que la source HDMI délivre le bon contenu à l'écran de façon fiable.

Pour modifier les paramètres EDID, utilisez un petit tournevis à lame plate pour faire tourner le commutateur pivotant du panneau vers le numéro EDID souhaité. Ce commutateur comporte des crans d'arrêt afin de s'assurer que la flèche est bien pointée vers un numéro et ne se trouve pas entre deux numéros. Il est nécessaire de remettre l'unité sous tension lorsque vous réglez les paramètres EDID. L'unité applique alors immédiatement et automatiquement les nouveaux paramètres.



Position	Fonctions
0 (par défaut)	1080p, stéréo
1	1080p, 5.1
2	Mode Copie EDID (Copie EDID depuis l'écran)
3	1080i, stéréo

4	(Réservé)
5	(Réservé)
6	(Réservé)
7	(Réservé)

Remarque :

En cas d'échec de la copie EDID, un EDID stéréo 1080P à 60 Hz fixe est fourni à l'appareil source.

Gestion des informations EDID

L'interrupteur DIP EDID se trouve par défaut en position « 0 » avec une sortie 1080p, stéréo vers l'écran. Grâce à cet interrupteur, vous pouvez copier les informations EDID depuis l'écran ou directement utiliser les informations de l'EDID fixe.

Copie d'EDID depuis l'écran

6. Vérifiez que l'écran est sous tension et connecté au récepteur.
7. Vérifiez que le transmetteur et le récepteur sont correctement connectés l'un à l'autre et que leur voyant d'état affiche chacun une lumière fixe.
8. Repérez l'interrupteur DIP EDID (indiqué dans le schéma ci-dessus) sur le panneau du transmetteur.
9. Placez l'interrupteur en position « 2 ».
10. Remettez le transmetteur sous tension afin les changements prennent effet.
Lorsqu'une source active est disponible, elle transmet la meilleure qualité vidéo à l'écran selon les informations EDID de l'écran.

Remarque :

Si aucun dispositif d'affichage n'est connecté au récepteur, le transmetteur transmet la résolution par défaut définie en usine (1080p, stéréo) à l'écran.

Utilisation de l'EDID fixe

1. Vérifiez que l'écran est sous tension et connecté au récepteur.
2. Vérifiez que le transmetteur et le récepteur sont correctement connectés l'un à l'autre et que leur voyant d'état affiche chacun une lumière fixe.
3. Repérez l'interrupteur DIP EDID (indiqué dans le schéma ci-dessus) sur le panneau du transmetteur.
4. Vérifiez que l'écran prend en charge la résolution EDID souhaitée. Sinon, l'écran risque de n'afficher aucune image.
5. Faites basculer l'interrupteur vers la position « 0 », « 1 » ou « 3 » (voir le tableau

ci-dessus pour obtenir les informations EDID détaillées).

6. Remettez le transmetteur sous tension afin les changements prennent effet.
Lorsqu'une source active est disponible, elle transmet la résolution fixe à l'écran.

Remarque :

La fonction EDID fixe fonctionne correctement même si aucun écran n'est connecté au récepteur.

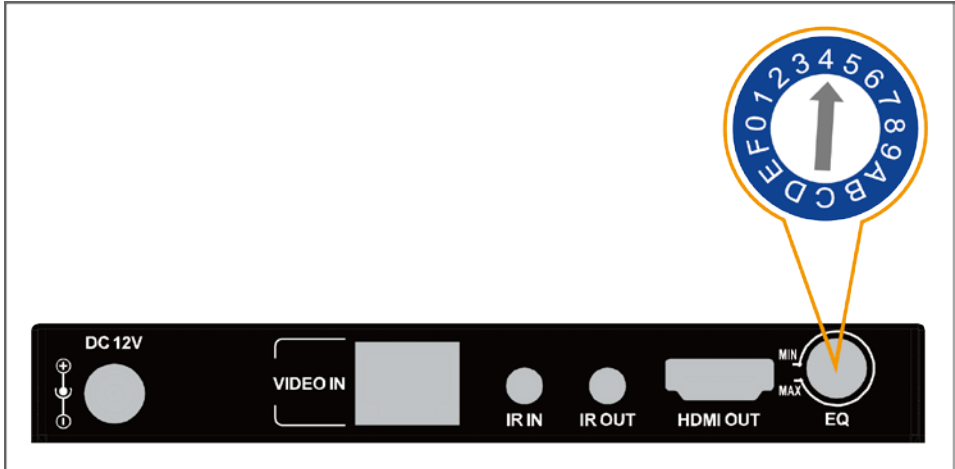
Gestion EQ

Présentation d'EQ

Le récepteur est équipé d'une gestion de l'égalisation (EQ) qui offre de nombreuses options d'EQ afin de régler l'EQ selon la longueur du câble Cat 5e/6 jusqu'à ce que vous obteniez la meilleure qualité d'image possible.

Pour modifier les paramètres EQ, utilisez un petit tournevis à lame plate pour faire tourner le commutateur pivotant du panneau vers le numéro EQ souhaité. Ce commutateur comporte des crans d'arrêt afin de s'assurer que la flèche est bien pointée vers un numéro et ne se trouve pas entre deux numéros. Il n'est pas nécessaire de remettre l'unité sous tension lorsque vous réglez les paramètres EQ. L'unité applique alors immédiatement et automatiquement le nouveau paramètre.

Récepteur



Position	Fonctions
Lorsque le câble Cat 5e/6 mesure entre 0 et 10 mètres.	Réglez la position entre 0 et 3
Lorsque le câble Cat 5e/6 mesure entre 10 et 30 mètres.	Réglez la position entre 2 et 6 (4 par défaut)
Lorsque le câble Cat 5e/6 mesure entre 30 et 40 mètres.	Réglez la position entre 4 et 7
Réservé	Positions 8 à F

Réglage de la valeur EQ

L'interrupteur DIP EQ se trouve par défaut en position « 4 », ce qui vous permet d'utiliser un câble Cat 5e/6 mesurant entre 10 et 30 mètres. Grâce à cet interrupteur, vous pouvez régler la valeur EQ souhaitée en fonction de la longueur réelle du câble afin de bénéficier d'un meilleur affichage. Si votre câble Cat 5e/6 mesure 20 mètres de long, suivez les instructions ci-dessous pour régler la valeur EQ.

7. Vérifiez que l'écran est sous tension et connecté au récepteur.

8. Vérifiez que le transmetteur et le récepteur sont correctement connectés l'un à l'autre et que leur voyant d'état affiche chacun une lumière fixe.
9. Repérez l'interrupteur DIP EQ (indiqué dans le schéma ci-dessus) sur le panneau du récepteur.
10. Basculez l'interrupteur pour faire défiler les positions 2 à 6.

Dépannage

Les produits W Box Technologies sont conçus pour fonctionner sans problème. La plupart des problèmes qui surviennent ont une explication simple. Si vous rencontrez des problèmes, consultez la liste des solutions simples ci-dessous.

DÉPANNAGE DE L'AMPLIFICATEUR	
PROBLÈME	SOLUTION
VOYANT D'ÉTAT ÉTEINT	Vérifiez que l'appareil est sous tension.
	Vérifiez que les câbles sont adaptés et correctement branchés.
	Vérifiez que la sortie de la source est normale
PAS D'IMAGE	Vérifiez que tous les appareils sont sous tension, que tous les câbles sont adaptés et correctement branchés.
	Vérifiez qu'une image apparaît lorsque vous connectez directement la source à l'écran.
	Vérifiez les valeurs EDID et EQ. Pour plus d'informations, voir « DIP Switch Description »

Spécification

Technique	
Entrée/sortie	Transmetteur : 1 x port RJ45, 1 x ENTRÉE HDMI, 1 x ENTRÉE IR, 1 x SORTIE IR, Récepteur : 1 x port RJ45, 1 x SORTIE HDMI, 1 x ENTRÉE IR, 1 x SORTIE IR,
Type de signal d'entrée/de sortie	HDMI : HDMI1.3a
Prise en charge de la résolution d'entrée/de sortie	DTV/HDTV; 1080P/1080i/720P/576P/480P/ 576i/480i
Signal vidéo d'entrée	1,2 volt crête à crête
Signal DDC d'entrée	5 volts crête à crête (TTL)
Débit des données	2,25 Gb/s maximum
Sortie audio	DTS-HD, Dolby-HD
Longueur d'onde IR	940 nm
Fréquence IR	38 kHz
Distance maximale	40 mètres

Général	
Alimentation électrique	CC, 12 V, 0,5 A
Consommation électrique	5 W (maximum)
Température de service	32 °F à 113 °F (0 °C à 45 °C) 10 % à 90 %, sans condensation
Température de stockage	-4 °F à 158 °F (-20 °C à 70 °C) 10 % à 90 %, sans condensation
Protection DES	Modèle du corps humain : ±8 kV (décharge d'entrefer)/ ±4kV (décharge de contact)
Dimensions	5" x 2.12" x 0.67" (127 mm x 54 mm x 17 mm)
Poids	0,66 lb / 0,3 kg (Paires)
Certification	CE, FCC, RoHS

Garantie limitée

1. Garantie limitée

a. Généralités

Sous réserve des modalités de la présente garantie limitée, à compter de la date de vente et pendant la période de garantie applicable aux catégories de produits précisées au paragraphe 1b), ADI garantit que ses produits W Box Technologies sont libres de tout vice de matériaux et de fabrication dans des conditions d'utilisation et d'entretien normales, sauf l'usure normale. Sauf si les lois l'exigent, la présente garantie limitée est offerte uniquement à l'acheteur et ne peut être transférée à un tiers.

ADI n'a aucune obligation aux termes de la présente garantie

limitée ou autrement dans les circonstances suivantes :

- i. le produit est mal installé, appliqué ou entretenu;
- ii. le produit est installé de manière non conforme aux paramètres d'exploitation indiqués, modifié ou mal entretenu ou réparé;
- iii. le produit est endommagé par des phénomènes naturels extérieurs comme la foudre, une surcharge, un incendie, une inondation, une force majeure ou un phénomène similaire;
- iv. les défauts du produit résultent d'une modification non autorisée, d'une mauvaise utilisation, d'un acte de vandalisme ou d'autres causes non liés aux vices de matériaux ou de fabrication, ou à une défaillance des piles de quelque type que ce soit utilisées avec les produits vendus aux termes des présentes.

ADI ne garantit que les produits portant la marque W Box Technologies qu'elle vend. Les autres produits portant une marque de tiers sont garantis par le fabricant tiers pendant une période définie par ce dernier, et ADI cède à l'acheteur ces garanties et uniquement les garanties offertes par ces fabricants tiers ou vendeurs à l'égard de produits ne portant pas ses marques. ADI ne garantit pas de produits ne portant pas ses marques et vend ces produits tels quels, conformément à ses modalités de vente.

b. Les garanties particulières applicables aux catégories de produits sont les suivantes :

Catégories de produits	Période de la garantie
Marcher à travers les détecteurs de métaux	12 mois
Accessoires de communication d'intrusion sans fil	12 mois
Barres de son	12 mois
UPS (systèmes d'alimentation sans coupure)	24 mois

Catégories de produits	Période de la garantie
Téléviseurs	24 mois
Caméras analogiques	24 mois
Caméras HD TVI, HD DVR's	24 mois
Blocs d'alimentation CCTV	24 mois
Contrôles du volume	24 mois
Protection contre les surcharges	24 mois
Haut-parleurs pour le plafond	24 mois
Modules de requête de sortie	24 mois
Mise à jour des serrures magnétiques	24 mois
Distributeurs HDMI	24 mois
Serrures magnétiques	24 mois
Amplificateurs	24 mois
Écrans	30 mois
Source de courant, Relais	30 mois
Bouton Hold-up	30 mois
Balluns vidéo	30 mois
Système d'alarme anti-intrusion	30 mois
Bâtis	60 mois
Supports de télévision	60 mois
Caméras IP	60 mois
DVRs, NVR's	60 mois
Détecteurs de mouvement infrarouge	60 mois
Attaches pour câbles	À vie limitée
Les panneaux de brassage	À vie limitée
Câbles analogiques	À vie limitée
Câbles de raccordement	À vie limitée
Bornes de bus	À vie limitée
Connecteurs B	À vie limitée
Cordes d'extension	À vie limitée

Catégories de produits	Période de la garantie
Contact magnétique	À vie limitée
Bloc modulaire, câbles et accessoires de communication	À vie limitée
Conduits cache-fil	À vie limitée
Câbles HDMI	À vie limitée

2. EXCLUSION DE GARANTIES ET LIMITATION DE RESPONSABILITÉ

IL N'EXISTE AUCUNE GARANTIE OU CONDITION, EXPRESSE OU IMPLICITE, DE QUALITÉ MARCHANDE, D'ADAPTATION À UNE FIN PARTICULIÈRE OU AUTRE QUI DÉPASSE LE CADRE DE LA DESCRIPTION FOURNIE AU RECTO DES PRÉSENTES. DANS LA PLEINE MESURE PERMISE PAR LA LOI, ADI NE SAURAIT EN AUCUN CAS ÊTRE TENUE RESPONSABLE ENVERS QUICONQUE DES DOMMAGES CONSÉCUTIFS, INDIRECTS, SPÉCIAUX OU PUNITIFS DÉCOULANT DU PRODUIT OU LIÉS À CELUI-CI DE QUELQUE FAÇON QUE CE SOIT ET/OU DU NON-RESPECT DE LA PRÉSENTE GARANTIE OU DE TOUTE AUTRE GARANTIE OU CONDITION, EXPRESSE OU IMPLICITE, OU DE TOUTE AUTRE RÉCLAMATION FONDÉE SUR LA RESPONSABILITÉ, MÊME SI LA PERTE OU LES DOMMAGES SONT CAUSÉS PAR LA NÉGLIGENCE OU LA FAUTE D'ADI ET MÊME SI CETTE DERNIÈRE A ÉTÉ AVISÉE DE LA POSSIBILITÉ QUE DE TELLES PERTES OU DE TELS DOMMAGES SURVIENNENT. Les descriptions de produits (fournies par écrit ou verbalement par ADI ou ses mandataires), caractéristiques techniques, échantillons, modèles, bulletins, dessins, diagrammes, esquisses techniques ou documents similaires utilisés par l'acheteur pour passer une commande visent uniquement à décrire les produits d'ADI et ne doivent pas être interprétés comme des garanties ou conditions expresses. Les

suggestions faites par ADI ou ses mandataires au sujet de l'utilisation, de l'application ou du caractère approprié des produits ne doivent pas être interprétées comme des garanties ou conditions expresses, sauf si ADI confirme par écrit qu'il s'agit de garanties ou de conditions expresses. ADI ne garantit pas qu'il n'y aura aucune atteinte à l'intégrité des produits qu'elle vend ou que les produits qu'elle vend ne seront pas contournés, qu'ils préviendront les blessures ou les pertes matérielles en cas de cambriolage, de vol, d'incendie ou autrement ou qu'ils constitueront dans tous les cas une protection ou un avertissement approprié. L'acheteur comprend qu'un produit dûment installé et entretenu permet uniquement de réduire le risque de cambriolage, de vol ou d'incendie sans avertissement, mais qu'il ne constitue pas une assurance ou une garantie qu'un tel événement ne se produira pas ou qu'il n'entraînera pas des blessures ou des pertes matérielles. PAR CONSÉQUENT, ADI NE SAURAIT ÊTRE TENUE RESPONSABLE DES BLESSURES, DES DOMMAGES MATÉRIELS OU D'AUTRES PERTES FAISANT L'OBJET D'UNE RÉCLAMATION, Y COMPRIS UNE RÉCLAMATION SELON LAQUELLE LE PRODUIT N'AURAIT PAS DONNÉ DE SIGNAL D'AVERTISSEMENT. Toutefois, si ADI est tenue responsable, directement ou indirectement, de pertes ou de dommages à l'égard des produits qu'elle vend, quelle qu'en soit la cause ou l'origine, sa responsabilité n'excédera en aucun cas le prix d'achat du produit, dont le remboursement sera exigé à titre de dommages-intérêts extrajudiciaires et non d'amende, et il s'agira du recours exclusif et intégral pouvant être exercé contre ADI.

3. Limitation de la responsabilité envers les clients de l'acheteur.

L'acheteur s'engage à limiter la responsabilité envers ses clients dans la pleine mesure permise par la loi. L'acheteur reconnaît

qu'ADI ne sera réputée avoir fourni aux consommateurs de ses produits que les garanties qui sont exigées par la loi. L'acheteur ne doit en aucun cas déclarer à ses clients et/ou aux utilisateurs des produits d'ADI que cette dernière offre d'autres garanties. Par l'acceptation des produits, l'acheteur assume, dans la pleine mesure permise par la loi, la pleine responsabilité à l'égard de toutes les poursuites, réclamations, mises en demeure et causes d'action et à l'égard de tous les jugements se rapportant à des dommages-intérêts, que ce soit pour des préjudices personnels ou des dommages matériels, subis par une personne, une firme, une société ou une association commerciale, y compris les clients de l'acheteur et/ou les utilisateurs des produits, en raison de toute omission de la part des produits de déceler le danger pour la détection duquel ils sont conçus et/ou de donner l'alerte de ce danger ou un avertissement de toute autre défaillance des produits, que ces dommages aient été causés par la négligence dont ADI est l'auteur ou le coauteur, et il tiendra ADI à couvert à cet égard et prendra fait et cause pour lui.

4. Retours

Sous réserve des modalités énumérées ci-après, durant la période de garantie applicable, ADI remplacera le produit ou donnera une note de crédit à l'achat, à son gré et sans frais, à l'égard de tout produit défectueux qui lui est retourné. L'obligation qui incombe à ADI de remplacer le produit visé par une garantie à vie limitée aux termes de la garantie en question si celui-ci est défectueux se limite à la disponibilité d'un produit de remplacement. ADI se réserve le droit de remplacer un produit défectueux par le produit qui est disponible à ce moment-là, ou de donner une note de crédit, à son gré. Si l'acheteur a un problème avec un produit d'ADI, il doit appeler sa succursale ADI locale pour connaître la marche à suivre pour retourner le produit.

Aux États-Unis, composer le 1 800 233-6261

Au Canada, composer le 877 234-7378

À Porto Rico, composer le 787 793-8830

L'acheteur doit avoir en main le numéro du modèle et décrire la nature du problème. En cas de remplacement, le prix du produit retourné sera porté au crédit du compte de l'acheteur et une nouvelle facture sera établie pour le produit de remplacement. ADI se réserve le droit de donner une note de crédit plutôt que de remplacer le produit.

Si l'on établit que le produit W Box Technologies n'est pas défectueux ou que son mauvais fonctionnement résulte d'une utilisation abusive ou de dommages causés par l'utilisateur, le produit sera retourné à l'acheteur dans le même état que celui dans lequel il a été reçu et l'acheteur devra acquitter les frais de transport.

5. Lois applicables

Les lois de l'État de New York s'appliquent à la présente garantie limitée.

6. Modalités diverses

Si une modalité de la présente garantie limitée est interdite par ces lois, elle sera nulle, mais le reste de la présente garantie limitée demeurera pleinement en vigueur.