



LED SEMI COMMERCIAL MONITOR

0E-32MON720P (HD)

0E-43MON1080 (FHD)

Tech Support
#833-574-9124(Option2)
info@wboxtech.com



Contents

Contents	1
Safety.....	1
Cautions.....	3
FCC RF Interference Statement	4
Connections.....	5
Controls & Menu Operation.....	6
Mounting Guide	11
Accessories.....	12
Power Indicator / Modes of Operation.....	12
Dimensions	13
Specifications.....	14
Limited Warranty.....	15

Safety

1. Read these instructions completely and comply with all requirements.
2. Retain these instructions for reference.
3. Comply with all instructions and warnings, both in this manual and on the product.
4. Disconnect the monitor from all power before cleaning. Use a damp cloth for cleaning; and do not use liquid or aerosol cleaners.
5. Never use the monitor in damp areas or near water.
6. Never place the monitor on an unstable surface; if the monitor falls it may cause serious damage to people or property.
7. When selecting a location for placement/installation please ensure:
 - A. To allow for sufficient ventilation leave a minimum distance of 4" around the monitor.
 - B. Never allow anything (e.g. paper, cloth, etc.) to obstruct the monitor ventilation openings.
 - C. Never allow an open flame source (e.g. lighted candles) near the monitor.

- D. If batteries are used, please dispose of all batteries as per local regulations.
 - E. Use the monitor in indoor environments as per the temperature and humidity specs.
8. The monitor should be operated from a power source indicated on the rear of the monitor.
 9. The 3 wire grounding type plug [having a third (grounding) pin] used on this monitor is a safety feature. Do not power the monitor without a grounding-type plug.
 10. Do not place the monitor where people will walk on the cord or allow anything to rest on or rub against the power cord.
 11. If an extension cord is used to power the monitor, make sure that the total ampere usage of all the products plugged into the extension cord does not exceed the ampere rating of the extension cord nor the power rating of the outlet.
 12. To avoid the risk of fire or an electric shock resulting from contact with dangerous voltage points or damage to parts, never insert objects of any kind into the monitor cabinet slots. Never spill any kind of liquid on the monitor.
 13. Do not attempt to service this monitor yourself, as opening or removing the cover may expose you to dangerous voltage points or other risks.
 14. If any of the following occur, disconnect the power to the monitor and refer servicing to qualified service personnel:
 - A. The power cord or plug is damaged or frayed.
 - B. If liquid has been spilled into the monitor.
 - C. If the monitor has been exposed to rain, water or other liquids.
 - D. If the monitor does not operate as expected as per the operating instructions. Adjust only those controls as described in the operating instructions; improper adjustment of other controls may cause the monitor to become inoperative and may void the warranty.
 - E. If the monitor has been dropped or the cabinet has been damaged.
 - F. If the monitor exhibits a distinct change in performance, indicating a need for service.

Please note:

The power supply cord is used as the main disconnect device. Ensure that the power outlet is located/installed near the monitor and is easily accessible.

Cautions

CAUTION TO SERVICE PERSONNEL

POWER SUPPLY CORD IS USED AS MAIN POWER DISCONNECT DEVICE IN THIS PRODUCT. UNPLUG THIS PRODUCT FROM THE WALL OUTLET BEFORE REMOVING THE BACK COVER AND SERVICING.

1. Never open the monitor case

Only specially qualified personnel should open the case. No user serviceable parts inside.

2. Do not use in environments that may cause hazards.

To prevent electrical shock or a fire hazard, do not expose the monitor to rain or moisture. This monitor is designed to be used in a residential or commercial environment. Do not subject the monitor to excessive vibration or dust, or to corrosive gases.

3. Keep in a well-ventilated location.

Ventilation slots are provided on the cabinet to control the internal temperature of the monitor. Do not cover these ventilation area or place anything on the unit which might block those slots.

4. Avoid excessive heat.

Avoid placing the monitor in direct sunshine or near a heating appliance.

5. To eliminate eye fatigue.

Do not use the monitor against a bright background or where sunlight and other light sources will shine directly on the monitor.

6. Be careful of heavy objects.

Neither the monitor itself nor any other heavy object should rest on the power cord. Damage to a power cord can cause fire or electrical shock.

FCC RF Interference Statement

This equipment has been tested and found to comply with the limits for a Class B digital device, pursuant to Part 15 of the FCC Rules. These limits are designed to provide reasonable protection against harmful interference in a residential installation.



This equipment generates, uses, and can radiate radio frequency energy and, if not installed and used in accordance with the instructions, may cause harmful interference to radio communications. However, there is no guarantee that interference will not occur in a particular installation.

If this equipment causes harmful interference to radio or television reception, which can be determined by turning the equipment off and on, the user is encouraged to try to correct the interference by one or more of the following measures.

- Reorient or relocate the receiving antenna.
- Increase the space between the equipment and receiver.
- Connect the equipment into an outlet on a circuit different from that to which the receiver is connected.
- Only a shielded interface cable should be used.

Finally, any changes or modifications to the equipment by the user not expressly approved by the grantee or manufacturer could void the user's authority to operate such equipment, as well as voiding product warranty.

DOC Compliance Notice

This digital apparatus does not exceed the Class A limit for radio noise emissions from digital apparatus set out in the radio interference regulation of Canadian Department of Communications.

CE Compliance

This monitor complies with the basic protection requirements of the Electromagnetic Compatibility (EMC) Directive 2014/30/EU for electrical and electronic equipment imported into the European Union (EU):

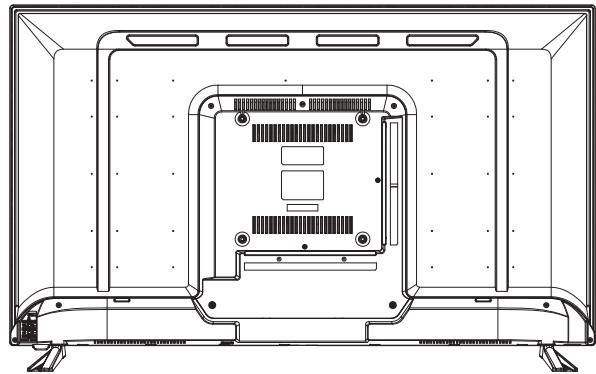


The electromagnetic disturbance generated by the apparatus does not exceed the level specified in the harmonized EMC Standards for this type of apparatus. It has a level of immunity to the electromagnetic disturbance to be expected in its intended use, and should operate without unacceptable degradation of its specified performance.

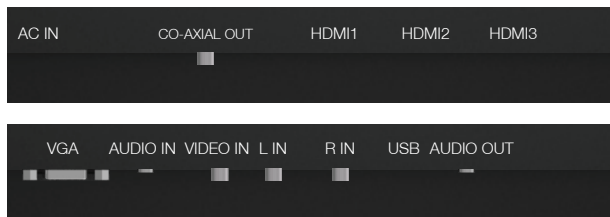
Connections

Back View of Monitor

Connector panel is located on the underside of the case rear projection, just above the stand.



0E-32MON720P



0E-43MON1080



Detailed View of the Connector Panel Only use a properly, grounded, three wire cord appropriate for the local power system.

IR Remote Control

1. Power button

Press to enter or exit the standby mode.

2.Mute button

Press to turn on or off the audio output.

3.OK button

Press to confirm selection in the setup menu.

4.Menu button

Press to enter or exit the setup menu.

5.Source button

Press to enter or exit the interface display menu.

6.Return button

Enter the menu, you can press this key to return.

7.HDMI button

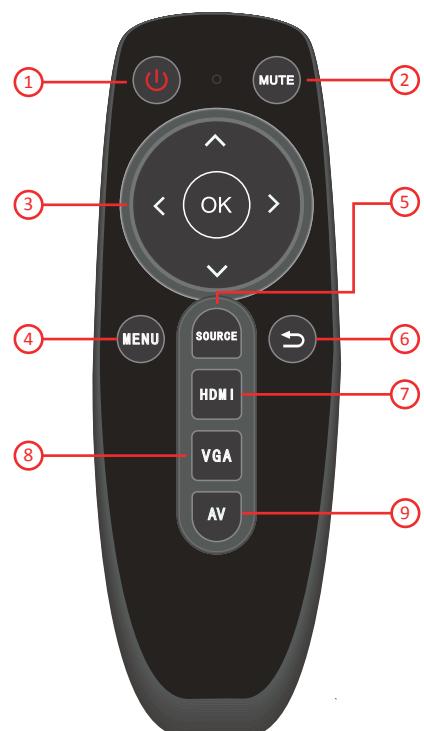
Press to enter HDMI mode.

8.VGA button

Press to enter VGA mode.

9.AV button

Press to enter AV mode.

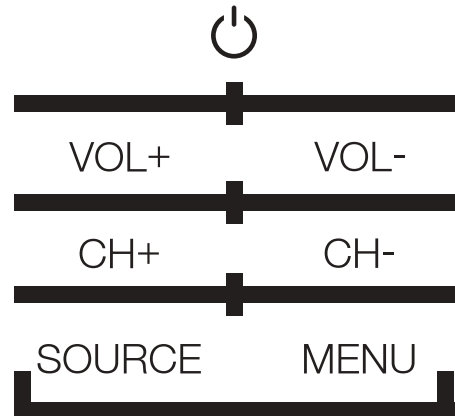


Controls & Menu Operation

Control Keys / Buttons

Buttons are located on the right back of the models.

Source Auto detection function when there is/are source(s) connect to the monitor, monitor will auto detect the source (s) and auto select the desired source. The source should be selected manually when there is more than one source connected to the monitor.



A. “⏻” (POWER) button

- Press the button to turn ON or turn OFF the monitor.

B. (VOL+) button

- Press the button, volume increase. Press the button to scroll the cursor to desired function.

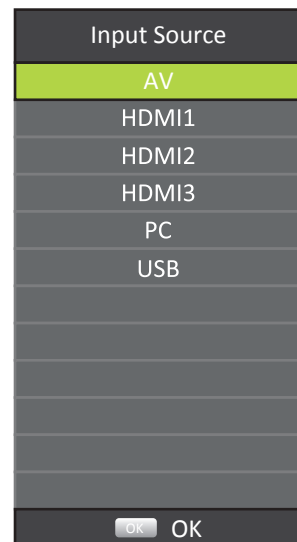
C. (VOL-) button

- Press the button, volume decrease. Press the button to scroll the cursor to desired function.

D. (CH+) button

- Press the button to scroll the cursor to desired function. Press the button to increase the value of selected function in sub OSD menu.

0E-32MON720P



0E-43MON1080



E. (CH-) button

- Press the button to scroll the cursor to desired function.
Press the button to decrease the value of selected function in sub OSD menu.

F. (SOURCE) button

Press the button to display all the signal channel menus.

When Main menu display as confirmation key during the OSD operation.

G. (MENU) button

- Press the button to show the OSD main menu.
Press the button to exit OSD menu.

PICTURE Menu

Picture Mode: press the left and right keys to enter the selection of picture mode, the optional :standard / user / movie / dynamic.

Contrast: press the left and right keys to set the contrast, can be set to 0~100.

Brightness: press the left and right key to set the brightness, can be set to 0~100.

Color: press the left and right key to set the color, can be set to 0~100.

Sharpness: press the left and right key to set sharpness, can set to 0~100.

Tint: press the left and right key to set tint, can be set to 0~100.

Color Temp: press the left and right key to enter color temp menu, and then you can choose color temp to :cool / warm / normal.

Aspect Ratio: press the left and right key to go in to select the zoom mode, can choose to : 4:3/16:9 /zoom 1/ zoom 2/just scan/point to point.

Noise Reduction: press the left and right key to adjust the noise reduction, can choose the value to:middle / high / off / low.



SOUND Menu

Sound Mode: press the right or left key to adjust the sound mode, it can change to : user / music / movie / sports / standard.

Treble: press the left and right key to adjust sound treble, which can be set to 0~100.

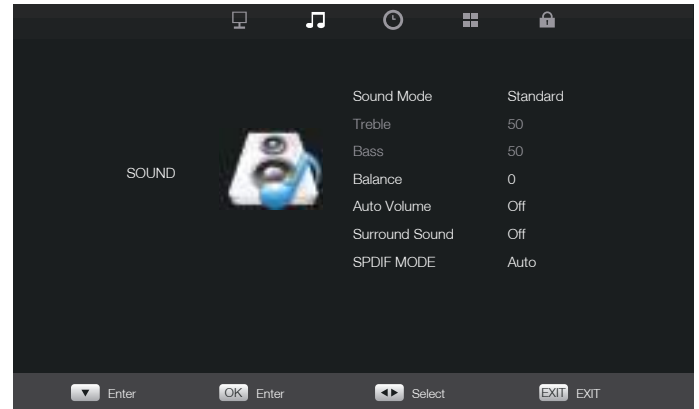
Bass: press the left and right key to adjust sound bass, which can be set to 0~100.

Balance: press the left and right key to adjust balance, can be set to -50 ~ +50.

Auto Volume: press the left and right key to set the auto volume on or off.

Surround Sound: press the left and right key to set the surround or off.

SPDIF MODE: press the left and right key to set the spdif mode auto/pcm.



TIME Menu

Clock: press the left and right key to current time setting menu, and then set the current time.

Off Time: press the left and right key to enter the selection set off time.

On Time: press the left and right key to enter the selection set on time.

Sleep Timer: press the left and right key to set the sleep time 10-240min.

Auto Sleep: press the left and right key to set the auto standby time.



OPTION Menu

OSD Language: press the left and right key to enter the settings of OSD language.

ECO Mode: press the left and right key to set the ECO mode, it can be set to: Low/Middle/High/Off.

OSD Time: press the left and right key to set OSD menu display time.



Blue Screen: press the left and right key to set blue screen On or off.

Backlight: press the left and right key to adjust , which can be set to 0~10.

Prevent Burn-in: press the left and right key to set prevent burn-in On or off.

Reset: press OK key to reset OSD settings to default.

SYSTEM LOCK Menu

Enter Password: press password: 0000 to go into system lock menu setting.



USB Menu

Through the left and right click "Photo" icon, and then click C disk and open the picture. Select the picture, press the OK key will appear the following icon.

Icon 1: Play or Pause photo.

Icon 2: Play a preview photo.

Icon 3: Play a next photo.

Icon 4: Stop playing.

Icon 5: Set repeatplay mode.

Icon 6: Random play.

Icon 7: set the background music.

Icon 8: Photo playlists.

Icon 9: Photo information.

Icon 10: Picture left rotation ninety degrees.

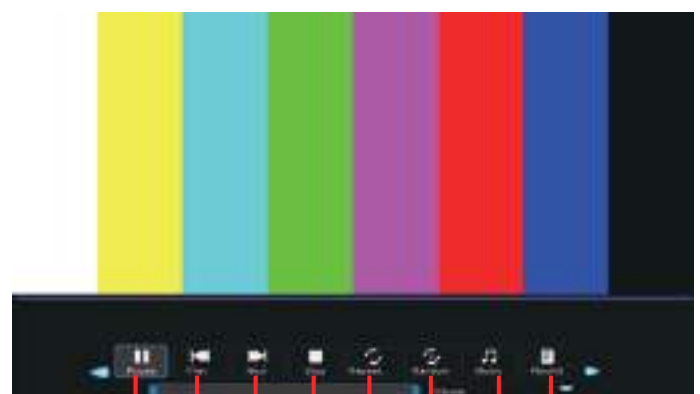
Icon 11: Picture right rotation ninety degrees.

Icon 12: ZOOM in.

Icon 13: ZOOM out.

Icon 14: Move view.

Icon 15: Slide show.



Through the left and right click on the icon, and then click on the "music" and the music open C disk. Selected music, press the OK key will appear the following icon.

Icon 1: Play or Pause music.

Icon 2: Fast backward the music play.

Icon 3: Fast forward the music play.

Icon 4: Play a preview music.

Icon 5: Play a next music.

Icon 6: Stop playing.

Icon 7: Set Repeat mode.

Icon 8: Set A-B play.

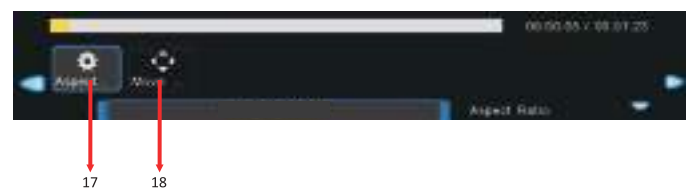
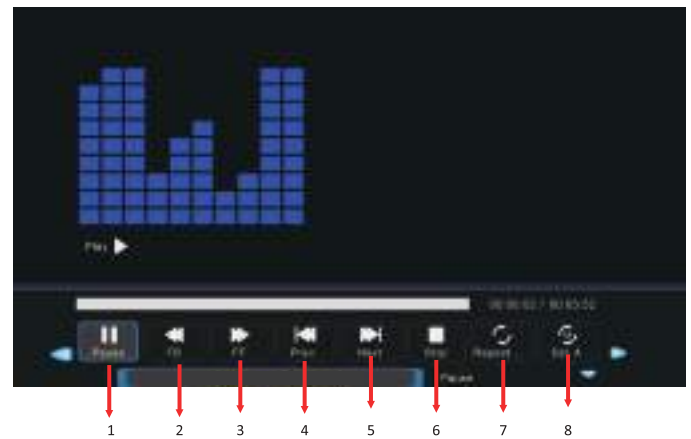
Icon 9: Random play.

Icon 10: Sound mute setting.

Icon 11: Music Play list.

Icon 12: Music infor.

Icon 13: Goto time play.



MOVIE OPERATE

Through the left and right click on the icon, and then click on the "movie" C disk and open the movie. Selected movie, press the OK key will appear the following icon.

Icon 1: Play or Pause movie.

Icon 2: Fast backward the movie play.

Icon 3: Fast forward the movie play.

Icon 4: Play a preview movie.

Icon 5: Play a next movie.

Icon 6: Stop playing.

Icon 7: Set movierepeat mode.

Icon 8: Random play. Icon 9: Set A-B Play. Icon 10: Movie Playlist.

Icon 11: Movie information. Icon 12: Slow forward play. Icon 13: Step forward play.

Icon 14: Goto time play. Icon 15: Zoom in. Icon 16: Zoom out.

Icon 17: Aspect ratio setting. Icon 18: Move Preview.

Remark:

When the device cools down, the picture may be a little flicker. When the device starts, it will work without any problem. Some red, blue and green spots appear in the picture, but it wont make any bad influence on the display. Do not press LCD display with finger for long time, which will lead to damage of display.

Mounting Guide

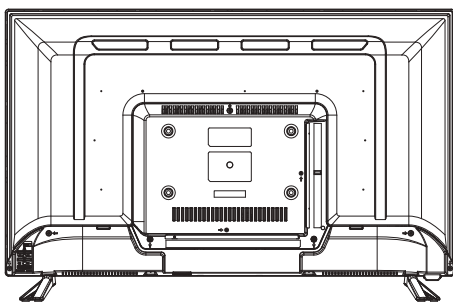
Wall or Other Mounting with VESA Standard

CAUTION The wall mount must bear a minimum of five times the monitor's net weight. To mount your MONITOR to the wall or another surface, you need to purchase a VESA wall mount. Use four (32"43"HMΦ6.0x14mm screws (the base attachment screws removed in step 1 below are (32"43"HMΦ6.0x14mm) to attach the mount. The monitor mount VESA hole pattern is ((0E-32MON720P(200mmx100mm) 0E-43MON1080(200mmx200mm)

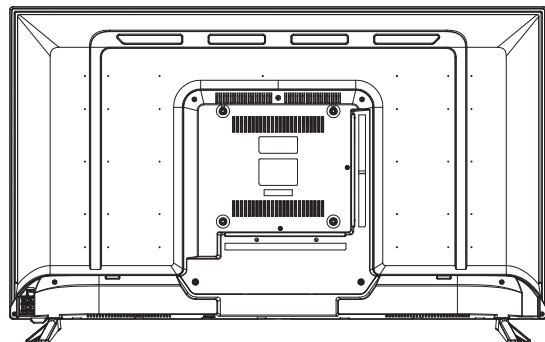
Note: Metric (32"43"HMΦ6.0x14mm) is the type screw that should be used (do not use longer screws or the monitor may be damaged).

1. Before mounting the monitor, remove the base riser (vertical portion of the base) by removing the four screws near the top with a screwdriver. Then the base and the riser can be removed. In order to prevent losing these screws, we suggest replacing the screws in their original holes.
2. Attach the VESA mount ((0E-32MON720P (200mm x 100mm) 0E-43MON1080 (200mm x 200mm)) plate to rear of the monitor and follow all of the instructions provided with the mount to complete the mounting process.

0E-32MON720P



0E-43MON1080



Accessories



Power Cable

Qty: 1



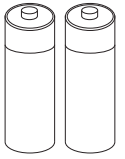
HDMI Cable

Qty: 1



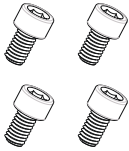
IR Remote Control

Qty: 1



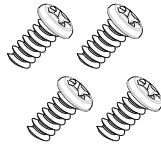
AAA Batteries

Qty: 2



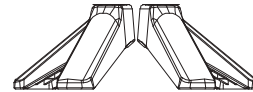
Screws for Mounting Monitor

Screws Type: 32"/43" HMΦ6.0x14mm
Qty: 4



Screws for Installing Monitor Stand

Screws Type:
32"/43" BT Φ4.0x10mm Qty: 4



Base of Stands

Qty: 2



User Manuals

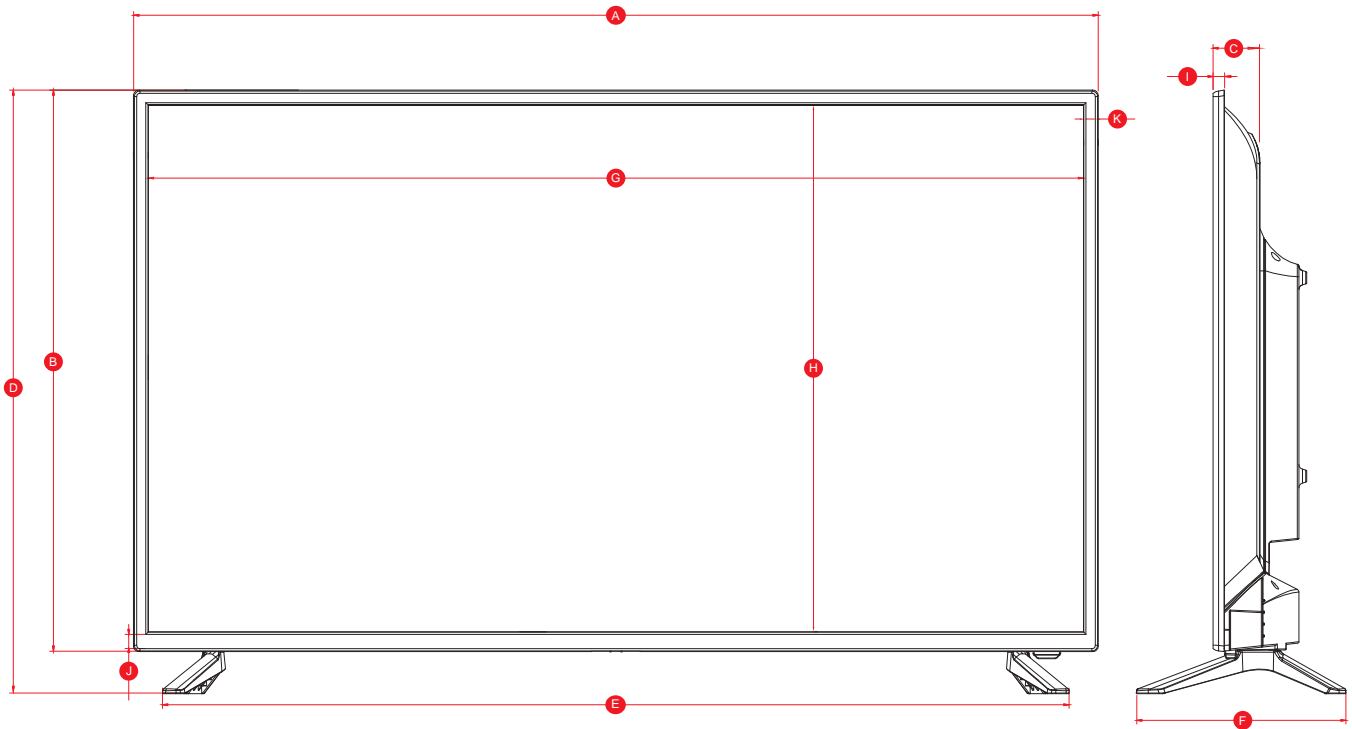
Qty: 2

Power Indicator / Modes of Operation

LED Indicator

LED is off when power is off, LED glows blue when power is on, LED glows red when monitor is sleep/standby model. The power management feature of the monitor is designed for security surveillance applications. When there is no video, the monitor remains ON to be instantly ready to display video when the source is changed or if a PC changes state from sleep/standby to active mode. A floating "No Signal" box moves slowly across the screen until video is restored.

Dimensions



	Model	0E-32MON720P		0E-43MON1080	
Letter	Dimension	mm	inch	mm	inch
A	Width of monitor body	732	28.8	972.5	38.2
B	Height of monitor body	434	17	566	22
C	Depth of monitor body	45.9	1.8	47.1	1.85
D	Height of monitor on base	474.6	18.7	608.2	23.9
E	Width of base	684.2	26.9	913.5	35.9
F	Depth of base	195.5	7.7	211.2	8.3
G	Width of viewable area	701.8	27.6	942.9	37.1
H	Height of viewable area	396.4	15.6	531.1	20.9
I	Thickness of monitor	11.2	0.44	11.5	0.45
J	Bottom bezel width	17.3	0.68	14.5	0.57
K	Side bezel width	9.5	0.37	9.4	0.36

Specifications

Model	0E-32MON720P	0E-43MON1080
Screen Diagonal Dimension (inches)	32"	43"
Viewable Area W x H (inches)	27.4 x 15.4	37 x 20.8
Led Type	DLED	
Pixel Pitch (mm)	0.510 x 0.510	0.4902 x 0.4902
Display Resolutions	1366 x 768	1920 x 1080
Supported Input Resolutions	Up to 1080p, downward compatible	
Refresh Rate	60Hz	
Color Depth	16.7M	
Brightness (cd/m ²)	400	500
Operation Mode	16/7/365	
Monitor Aspect Ratio	16:9	
Display Aspect Ratio	OSD selectable 16:9 or 4:3	
Horizontal TV Lines	720	1080
Contrast Ratio	1100:1SCR	1200:1SCR
Response Time (ms)	9 (GTG)	8 (GTG)
View Angle H/V (degrees)	178°x 178°/CR> 10	
Digital Video Inputs	HDMI up to 1920x1080	
Analog Video In/Out	VGA up to 1366x768	VGA up to 1920 x 1080
Audio In/Out (stereo)	1x3.5mm mini-jack	
Speakers (W)	2 x10	
Stand-by (W)	<0.5	
Power Consumption	75W Typical	110W Typical
Monitor Body Dimensions	28.8"x17"x2.9" (732 x434x74.9mm)	38.2"x22.2"x3.4" (972.5x566x86.4mm)
Dimension Monitor + Stand	28.8"x18.6"x7.7" (732x474.6x195.6mm)	38.2"x26.7"x3.8" (972.5x680.2x211.2mm)
Panel Surface	Matte black	
Case & Stand Material	Plastic	
VESA Mounting Pattern (mm)	200x100	200x200
Base/Stand Included	Yes	
Base/Tilt Angle	-5°~15°	
Weight Cabinet Only	9.9lbs(4.5 Kg)	16.4lbs(7.45 Kg)
Weight Cabinet + Base Stand	14.9lbs(6.8 Kg)	25.1lbs(11.4Kg)
Power Supply (internal)	AC 100-240V~50/60Hz 1.1A	AC 100-240V~50/60Hz 1.8A
Operating Temperature	0°C~40°C / 32°F~104°F	
Storage Temperature	-20°C~50°C / -4°F~122°F	
Operating Humidity	10~90%	
Interface	CO-AXIAL OUT, HDMI, VGA, AUDIO IN, YPBPR, VIDEO (IN/LIN/RIN) AUDIO IN, USB, AUDIO OUT	
Accessories	Power Cable, IR Remote Control, AAA Batteries, Screws, Base Of Stands, User Manuals, HDMI Cable	
Rack Mount Screw Size (mm)	Screw For Mounting Monitor, Screws Type: 32",43"HMΦ6.0x14mm/4pcs Screw For Base Of Stands Monitor, Screws Type: 32",43"BTΦ4.0x10mm/4pcs	
Certifications	CE/FCC/ROHS/HDMI/UL/WEEE/REACH	
Warranty	30 Months	

Limited Warranty

1. Limited Warranty

A. General

Subject to the terms and conditions of this Limited Warranty, from the date of sale through the period of time for product categories specified in Section 1(b), ADI warrants its W Box Technologies products to be free from defects in materials and workmanship under normal use and service, normal wear and tear excepted. Except as required by law, this Limited Warranty is only made to Buyer and may not be transferred to any third party.

ADI shall have no obligation under this Limited Warranty or otherwise if:

- (I) The product is improperly installed, applied or maintained;
- (II) The product is installed outside of stated operating parameters, altered, or improperly serviced or repaired;
- (III) Damage is caused by outside natural occurrences, such as lightning, power surges, fire, floods, acts of nature, or the like.
- (IV) Defects resulting from unauthorized modification, misuse, vandalism, or other causes unrelated to defective materials or workmanship, or failures related to batteries of any type used in connection with the products sold here under.

ADI only warrants those products branded as W Box Technologies products and sold by ADI. Any other products branded by third parties are warranted by the third party manufacturer for a period as defined by the third party manufacturer, and ADI assigns to Buyer those warranties and only those warranties extended by such third party manufacturers or vendors for non-ADI branded products. ADI does not itself warrant any non-ADI branded product and sells only on an as is basis in accordance with ADI's terms and conditions of sale.

B. Specific Warranties for Product Categories

Product Categories	Warranty
CCTV Power Supplies	24 months
Semi Commercial Monitors	24 months
CCTV Monitors	30 months
Video Baluns	30 months
Analog Cameras	36 months
DVR's, NVR's (excluding HDD)	60 months
IP Cameras	60 months
Racks	60 months
TV Mounts	60 months
Analog Cables	Limited Lifetime
B Connectors	Limited Lifetime
Extension Cords	Limited Lifetime
HDMI Cables	Limited Lifetime
Jacks, Cords and Intrusion	Limited Lifetime
Patch Cables	Limited Lifetime
Wire Ties	Limited Lifetime

2. Exclusion of Warranties, Limitation of Liability

THERE ARE NO WARRANTIES OR CONDITIONS, EXPRESS OR IMPLIED, OF MERCHANTABILITY, OR FITNESS FOR A PARTICULAR PURPOSE OR OTHERWISE, WHICH EXTEND BEYOND THE DESCRIPTION ON THE FACE HEREOF. TO THE FULLEST EXTENT PERMITTED BY LAW, IN NO CASE SHALL ADI BE LIABLE TO ANYONE FOR ANY (I) CONSEQUENTIAL, INCIDENTAL, INDIRECT, SPECIAL, OR PUNITIVE DAMAGES ARISING OUT OF OR RELATING IN ANY WAY TO THE PRODUCT AND/OR FOR BREACH OF THIS OR ANY OTHER WARRANTY OR CONDITION, EXPRESS OR IMPLIED, OR UPON ANY OTHER BASIS OF LIABILITY WHATSOEVER, EVEN IF THE LOSS OR DAMAGE IS CAUSED BY ADI'S OWN NEGLIGENCE OR FAULT AND EVEN IF ADI HAS BEEN ADVISED OF THE POSSIBILITY OF SUCH LOSSES OR DAMAGES.

Any product description (whether in writing or made orally by ADI or ADI's agents), specifications, samples, models, bulletin, drawings, diagrams, engineering sheets, or similar materials used in connection with the Buyer's order are for the sole purpose of identifying ADI's products and shall not be construed as an express warranty or condition. Any suggestions by ADI or ADI's agents regarding use, applications or suitability of the products shall not be construed as an express warranty or condition unless confirmed to be such in writing by ADI. ADI does not represent that the products it sells may not be compromised or circumvented; that the products will prevent any personal injury or property loss by burglary, robbery, fire or otherwise, or that the products will in all cases provide adequate warning or protection. Buyer understands and will cause its customer to understand that a properly installed and maintained product is not insurance or guarantee that such will not cause or lead to personal injury or property loss. CONSEQUENTLY ADI SHALL HAVE NO LIABILITY FOR ANY PERSONAL INJURY, PROPERTY DAMAGE OR OTHER LOSS BASED ON ANY CLAIM AT ALL INCLUDING A CLAIM THAT THE PRODUCT FAILED TO GIVE WARNING. However, if ADI is held liable whether directly or indirectly for any loss or damage with respect to the products it sells, regardless of cause or origin, its maximum liability shall not in any case exceed the purchase price of the product, which shall be fixed as liquidated damages and not as a penalty and shall be the complete and exclusive remedy against ADI.

FOR THE AVOIDANCE OF DOUBT, ADI DOES NOT SEEK HEREUNDER TO EXCLUDE OR RESTRICT ITS LIABILITY IN RELATION TO (I) FRAUD, (II) DEATH OR PERSONAL INJURY DIRECTLY RESULTING FROM ITS NEGLIGENCE OR (III) ANY MATTER IN RESPECT OF WHICH, BY LAW, IT IS NOT PERMITTED TO RESTRICT ITS LIABILITY.

3. Limitation on Liability to Buyer's Customers

Buyer agrees to limit liability to its customers to the fullest extent permitted by law. Buyer acknowledges that ADI shall only be deemed to give consumers of its products such statutory warranties as may be required by law and at no time shall Buyer represent to its customers and/or users of ADI products that ADI provides any additional warranties. By accepting the products, to the fullest extent permitted by law, Buyer assumes all liability for, and agrees to indemnify and hold ADI harmless against and defend ADI from, any and all suits, claims, demands, causes of action and judgments relating to damages, whether for personal injury or to personal property, suffered by any person, firm, corporation or business association, including but not limited to, Buyer's customers and/or users of the products because of any failure of the products to detect and/or warn of the danger for which the goods were designed or any other failure of the products whether or not such damages are caused or contributed to by the sold or joint concurring negligence or fault of ADI.

4. Returns

Subject to the terms and conditions listed below, during the applicable warranty period, ADI will replace Product or provide a credit at purchase at its sole option free of charge any defective products returned prepaid. Any obligations of ADI to replace Limited Lifetime warranty products pursuant to this warranty which result from defect are limited to the availability of replacement product. ADI reserves the right to replace any such products with the then currently available products, or provide a credit in its sole discretion. In the event Buyer has a problem with any ADI product, please call your local ADI branch for return instructions:

WWW.WBOXTECH.COM

Be sure to have the model number and the nature of the problem available. In the event of replacement, the return product will be credited to Buyer's account and a new invoice issued for the replacement item. ADI reserves the right to issue a credit only in lieu of replacement.

If any WBox Technologies product is found to be in good working order or such product's inability to function properly is a result of user damage or abuse, the product will be returned to Buyer in the same condition as received and Buyer shall be responsible for any return freight changes.

5. Governing Law

This Limited Warranty shall be governed by the laws of England and Wales.

6. Miscellaneous

Where any term of this Limited Warranty is prohibited by such laws, it shall be null and void, but the remainder of the Limited Warranty shall remain in full force and effect.

Tech Support
#833-574-9124(Option2)
info@wboxtech.com



wboxtech.com



0E-32MON720P



0E-43MON1080

