

How to add the old WBOX IP cameras to the new WBOX NVR?

This article outlines the steps in adding the old WBOX cameras to the new WBOX NVR. This can also be used as a guide in adding other brands of IP cameras to the new WBOX NVR.

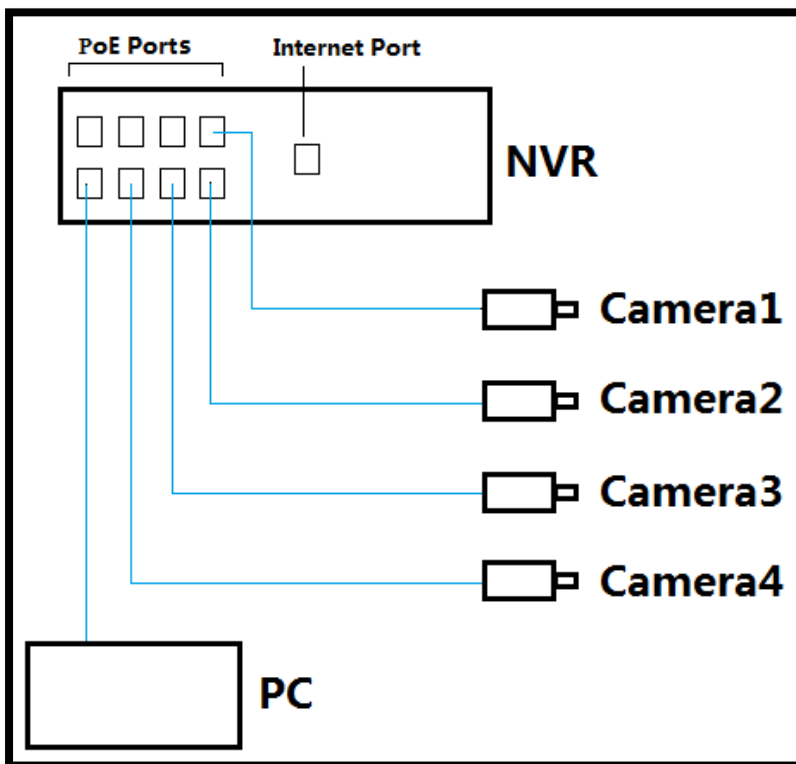
There are two methods that can use to add the IPC to the NVR:

1. The cameras are physical connected to the POE ports of the NVR
2. The cameras are connected to a POE switch or a router.

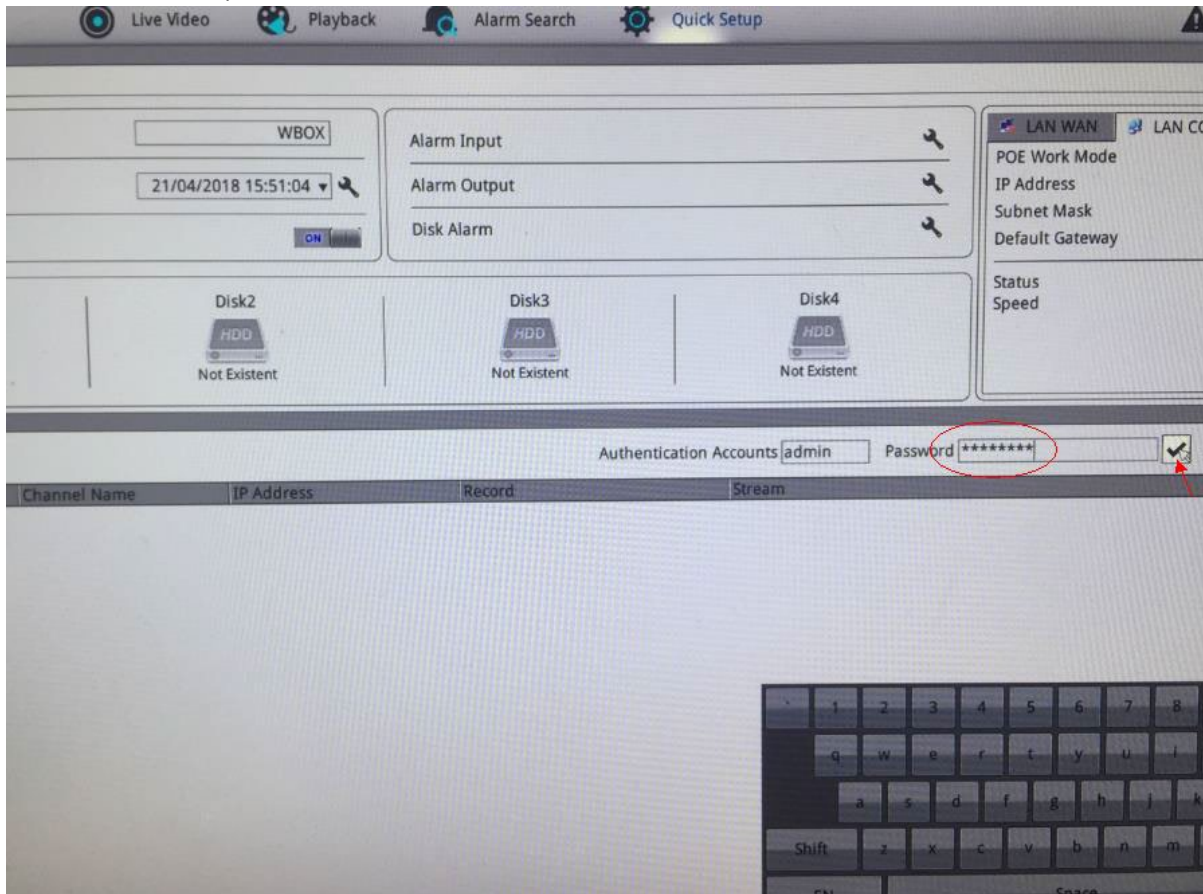
The cameras are physical connected to the POE ports of the NVR

Procedures:

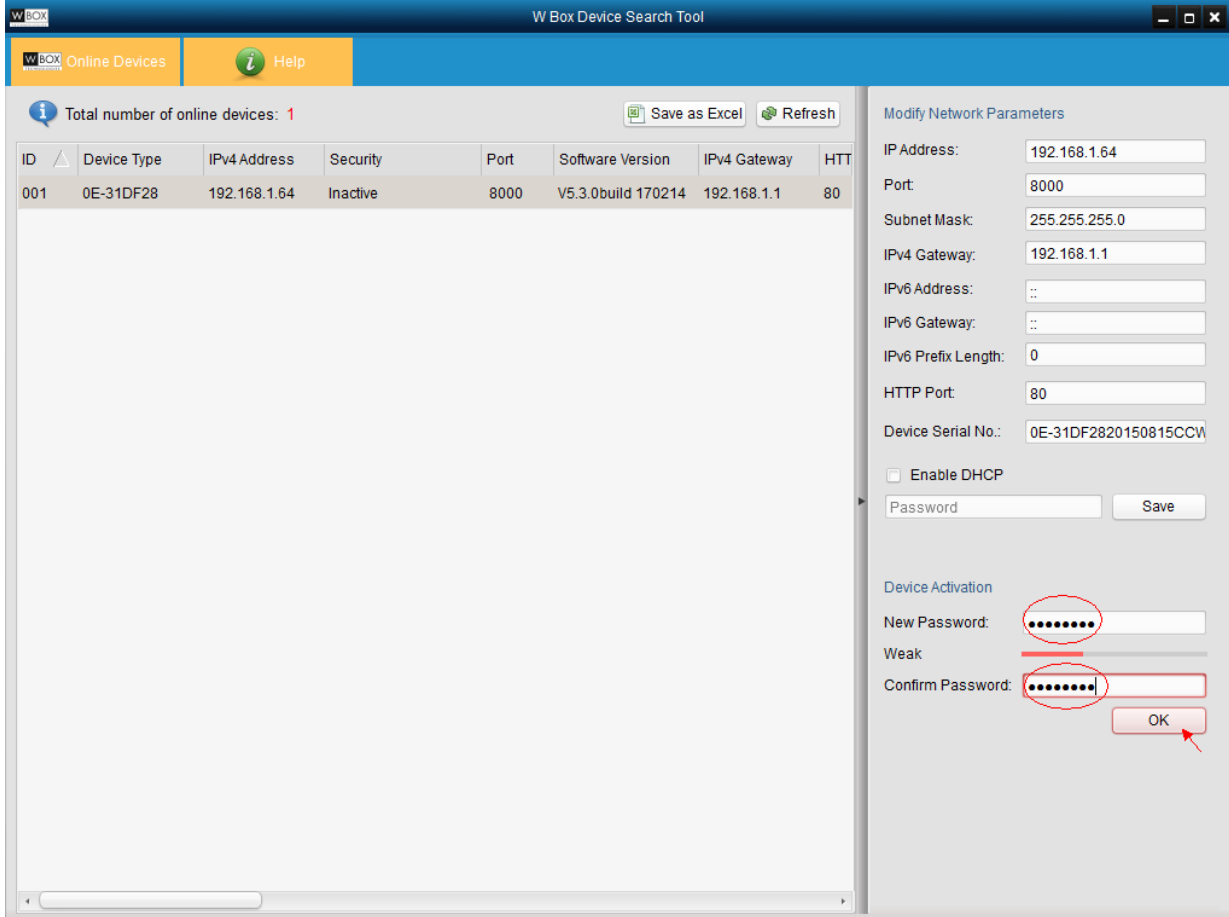
1. Connect the cameras and laptop/PC to the POE ports at the back panel of the NVR (not the LAN/Internet port). See image below.



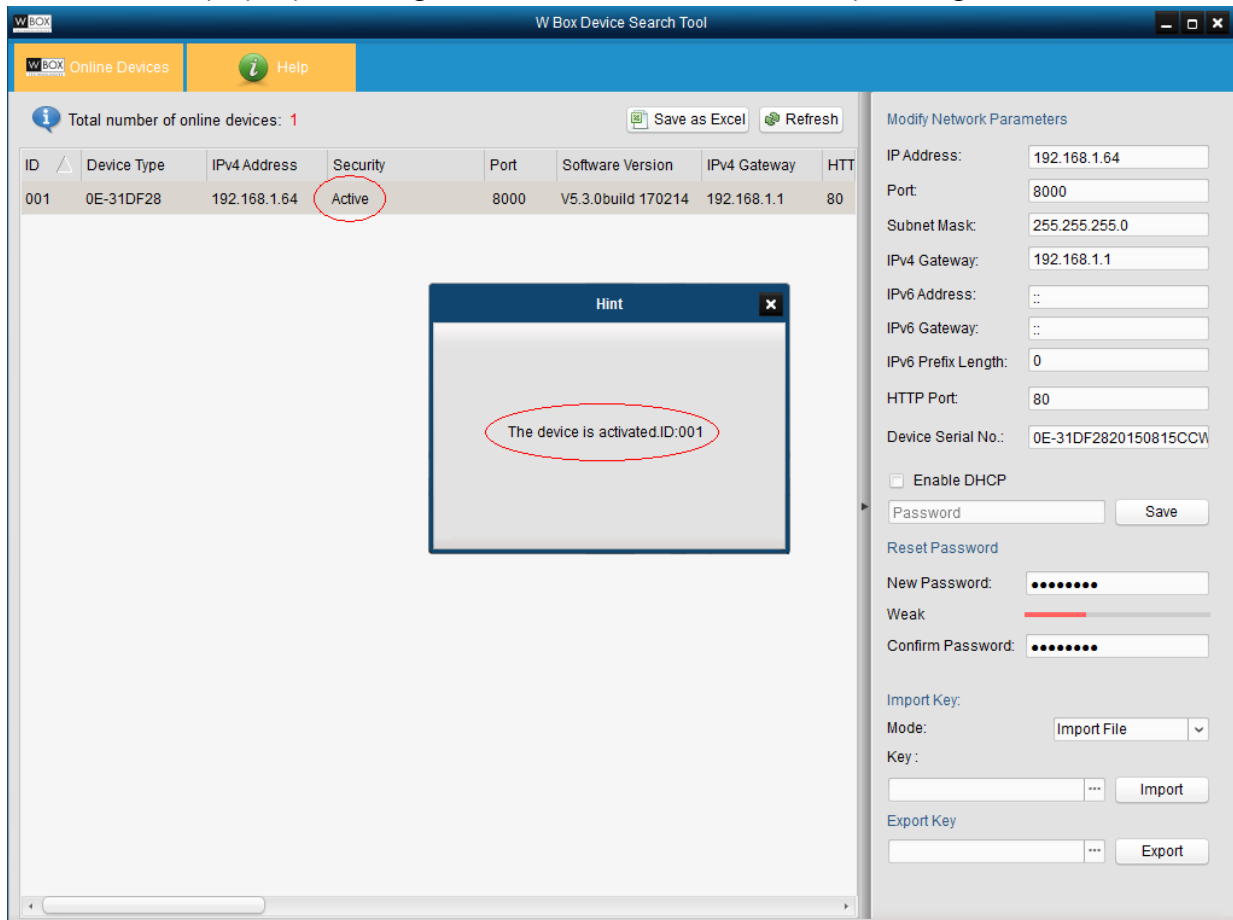
2. Use a monitor to access the NVR. On the **Quick Setup** page, setup a password for the camera authentication.
 - The password can be a combination of numbers, lower case & upper case letters, and special characters with at least 2 kinds of each were used. The range should be between 8 to 16 characters. Example: **admin123**
 - To ensure that the cameras will be authenticated, it is highly recommend using the same password for all the cameras that will be added to the NVR.



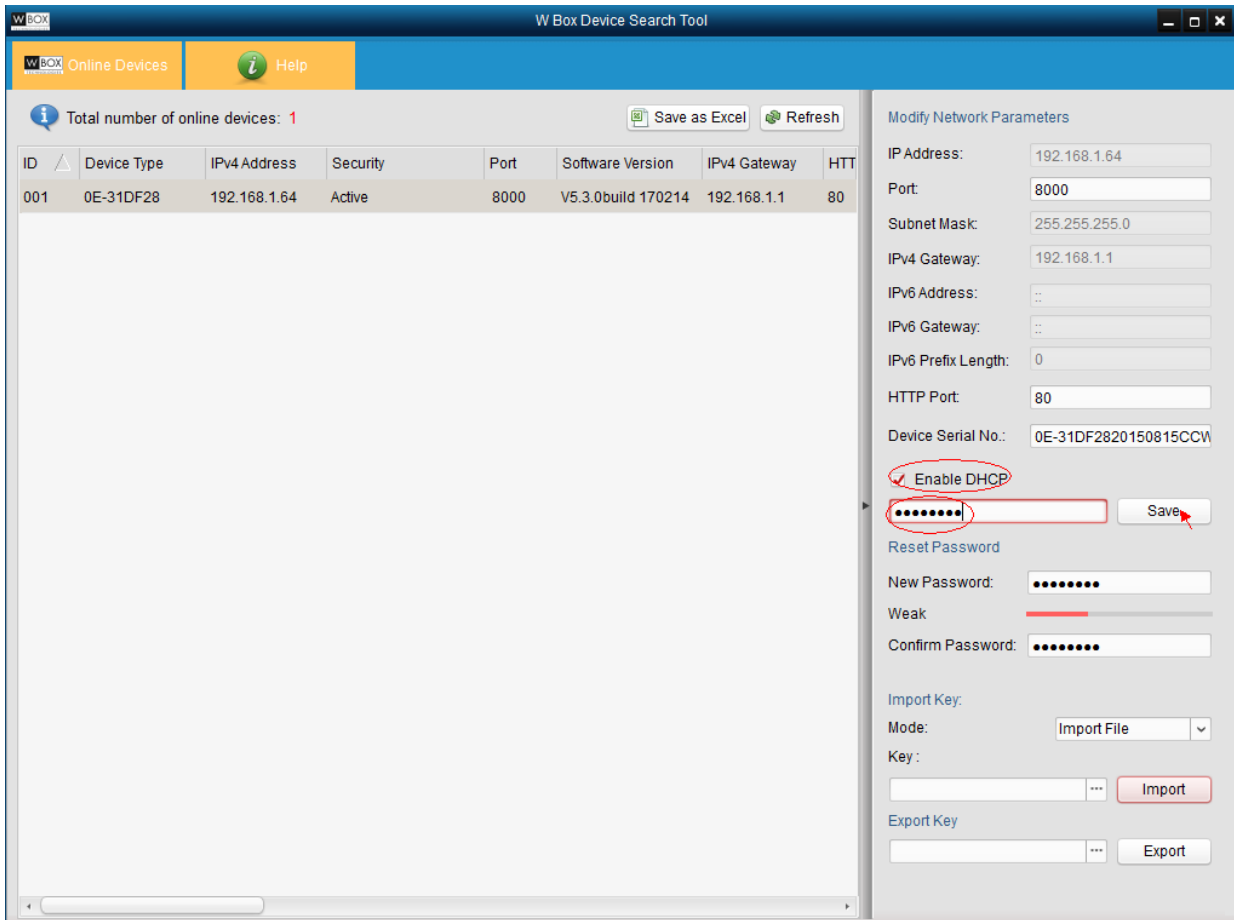
3. Install the WBOX Device Tool on your laptop/PC and activate the cameras using the password you setup in step 2. If the cameras were previously activated already, please change the password to the one you set in step 2.



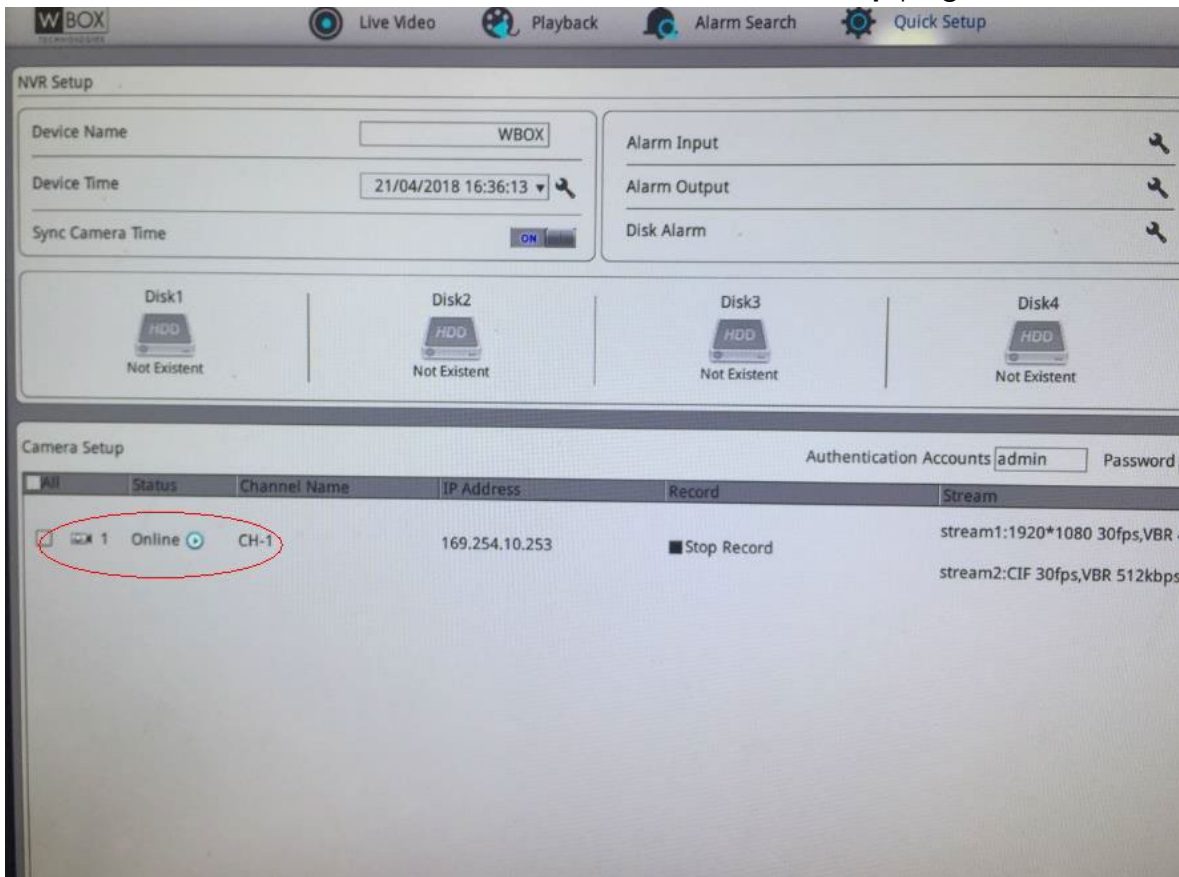
You will see a pop-up message with the status of the security change to "Active".



4. Enable DHCP for the camera. Tick '**Enable DHCP**' and input a new password which is the same password you set in set in step 2 and 3.

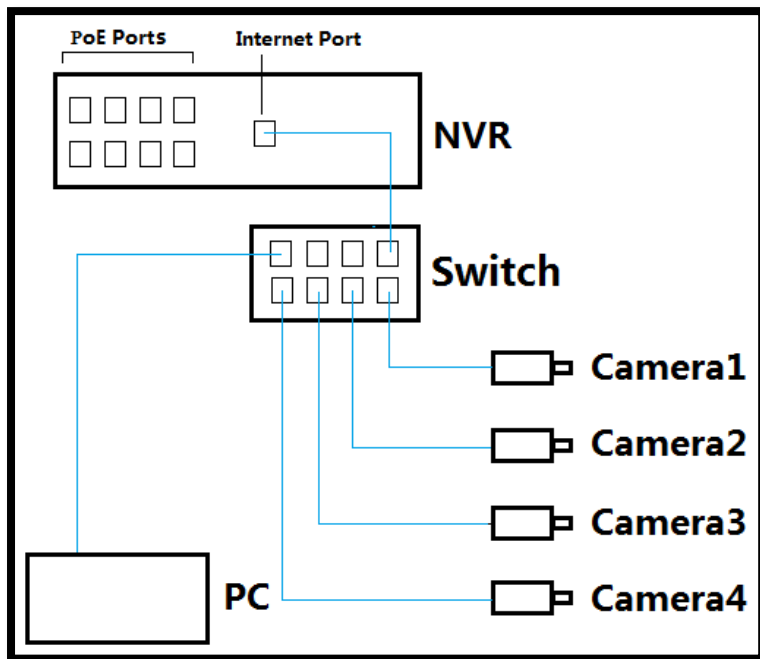


5. You will now see the camera as **Online** in the NVR **Quick Setup** page.



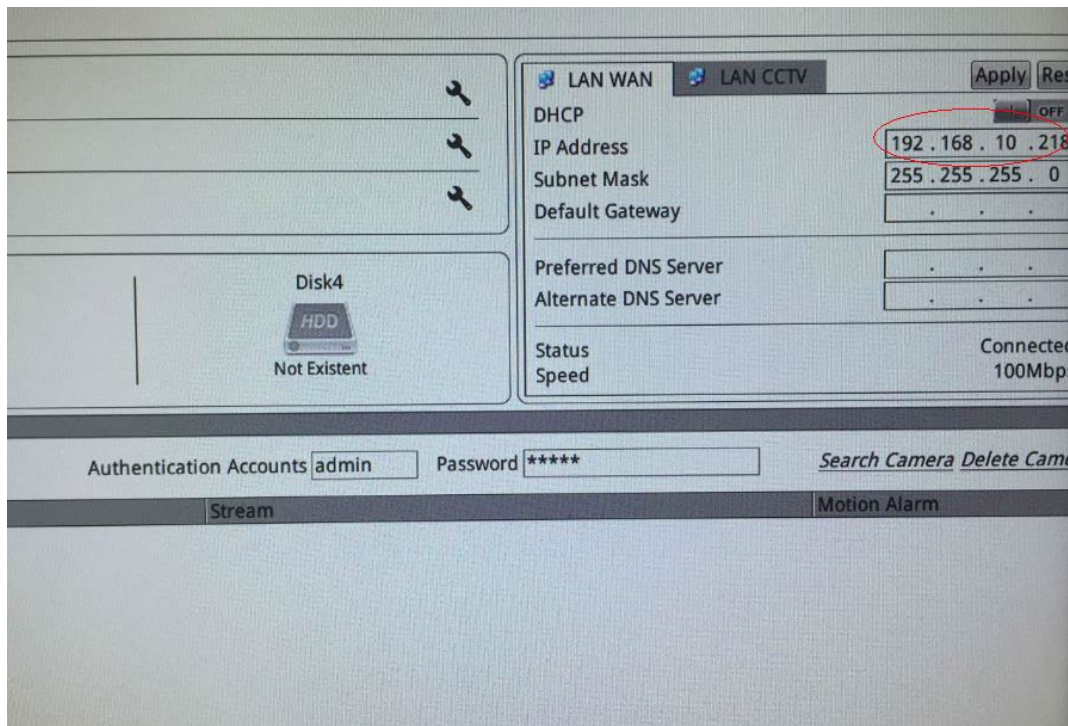
The cameras are connected to a POE switch or a router

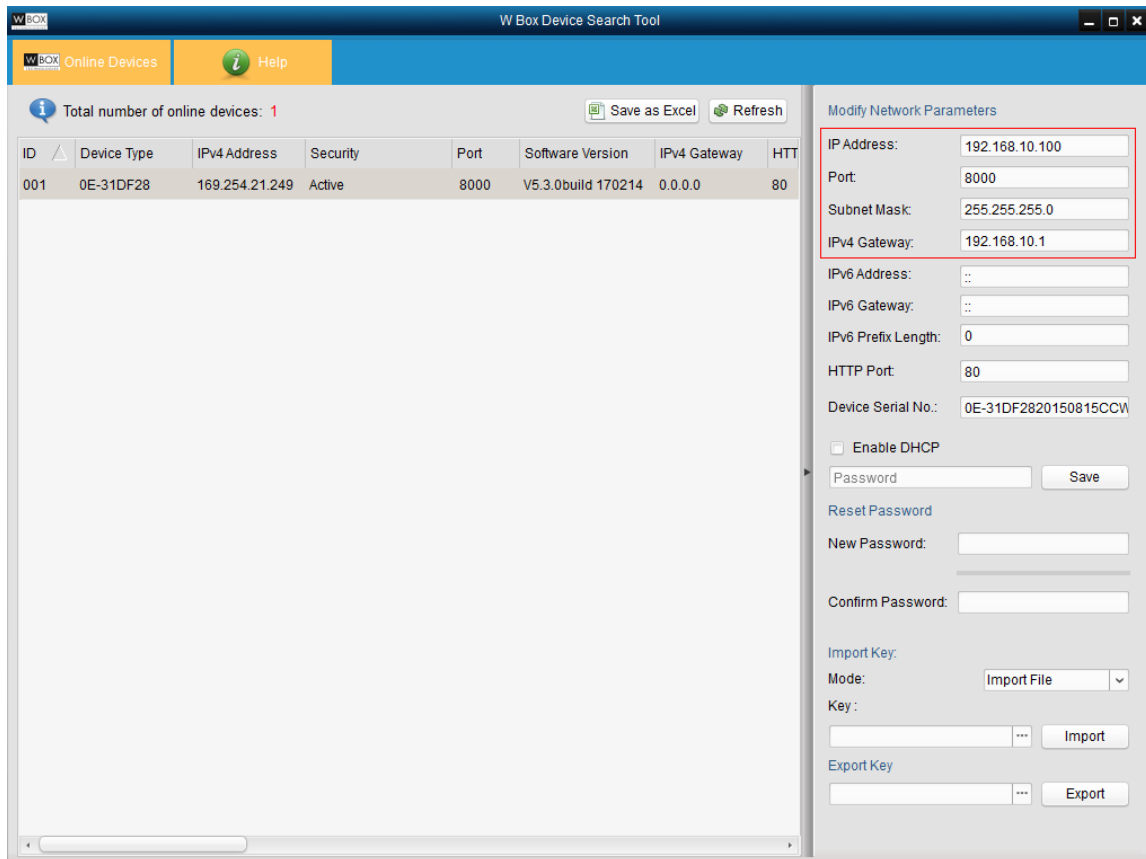
If you want to connect the cameras to POE switch or directly to a router (using a separate power supply), the cameras' IP address and the NVR's IP address should stay in the same range and follows the IP address of the router.



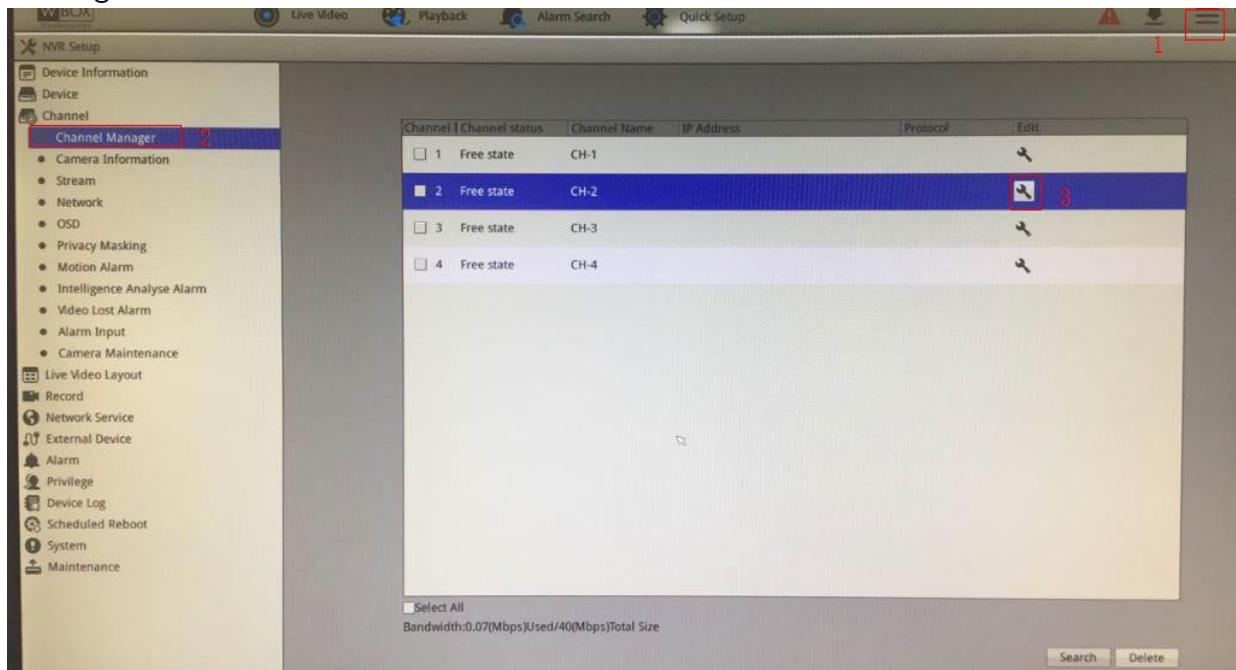
Procedures:

1. Check the IP address of the NVR. On the **Quick Setup** page, the LAN WAN will show the network parameters of the NVR. For example, the **NVR IP address is 192.168.10.218**, the IP address of the camera should be changed to **192.168.10.X**. Subnet mask is 255.255.255.0, Default gateway is the router's IP address, Preferred DNS Server is 8.8.8.8 and Alternate DNS Server is 8.8.4.4.





2. Add the cameras manually to the NVR. Go to Menu > Settings > Channel > Channel Manager > select the channel > click the 'wrench' icon to edit.



The screenshot shows a dialog box titled "Add Camera" with the following fields and values:

- Channel ID: 2
- Protocol: Onvif
- Device IP: 192.168.2.20
- Port: 80
- User Name: admin
- Password: *****
- Remote Channel ID: 1

- **Protocol:** Onvif
- **Device IP:** input the IP address of the camera
- **Port:** 80
- **Username:** input the username of the camera
- **Password:** input the password of the camera

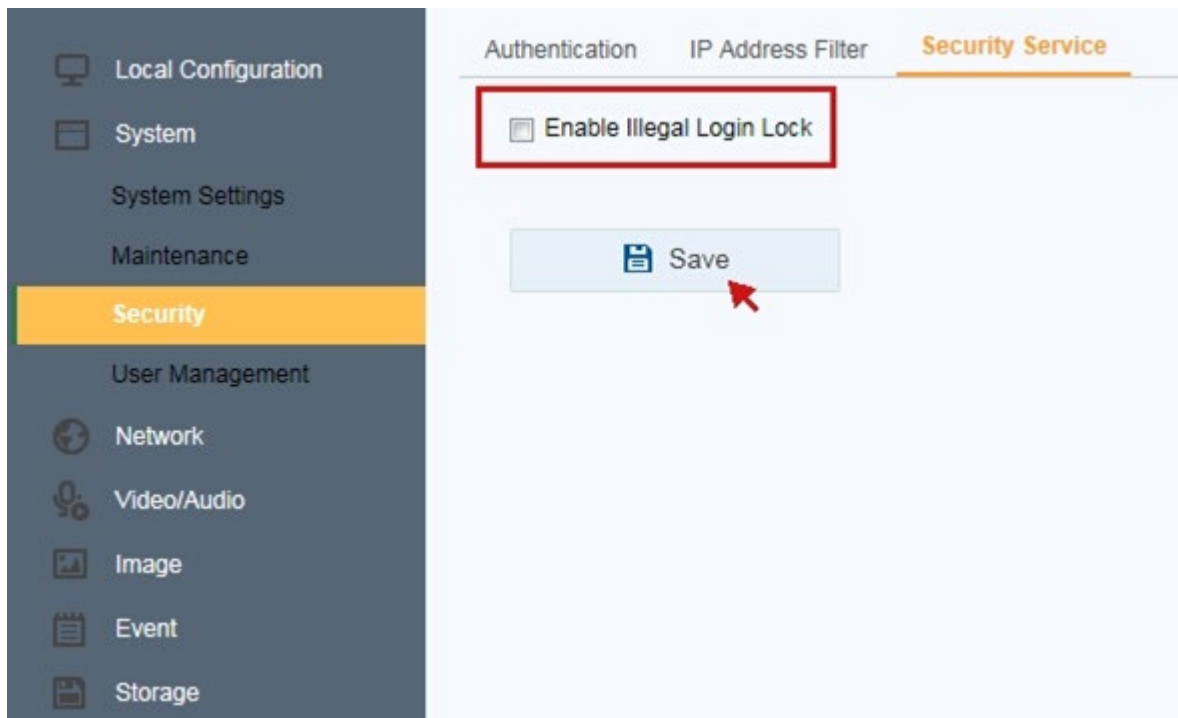
3. Go back to the **Quick Setup** page and you should see that the cameras as **Online**.

Additional Information: For HIKVISION and OLD WBOX IP Cameras

When adding HIKVISION and old WBOX IP Cameras to the new WBOX NVR, please make sure that the authentication password is already set correctly on NVR first. After setting the authentication password on the NVR, physically connect the cameras to the POE port of the NVR. If an incorrect password is set to the authentication password of the NVR, the cameras will protect it from wrong password attempts.

Other option:

1. Log in to the camera's web UI.
2. Go to **Configuration > System > Security > Security Service**.
3. Untick **Enable Illegal Login Lock**.
4. Hit **Save**.



For HIKVISION cameras with firmware version V5.5.0, the ONVIF protocol is disabled.

You need to log in to the camera's web UI to manually enable the ONVIF protocol. Please see this link for the instructions. <https://www.hikvision.com/ueditor/net/upload/2017-11-13/c81ae947-b819-4859-b298-fb1ce1f463ac.pdf>.