

How to add new WBOX IP Cameras to an old WBOX NVR?

This article outlines the steps in adding a new WBOX IP Camera to an old WBOX NVR. This can also set as a guide in adding the new WBOX IP cameras to other brands of NVR.

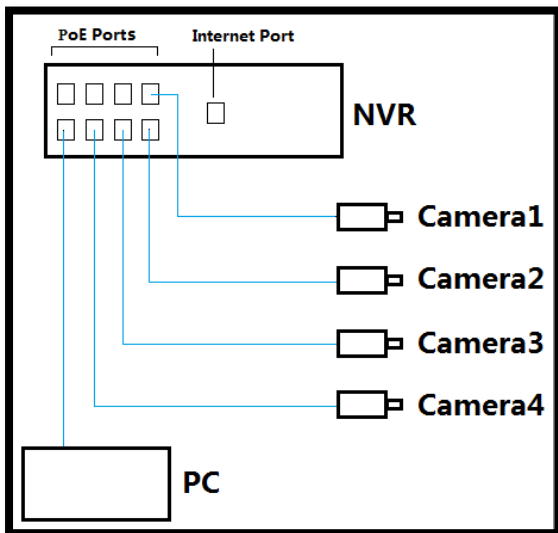
There are two methods that can use to add the IPC to the NVR:

1. The cameras are physical connected to the POE ports of the NVR
2. The cameras are connected to a POE switch or a router.

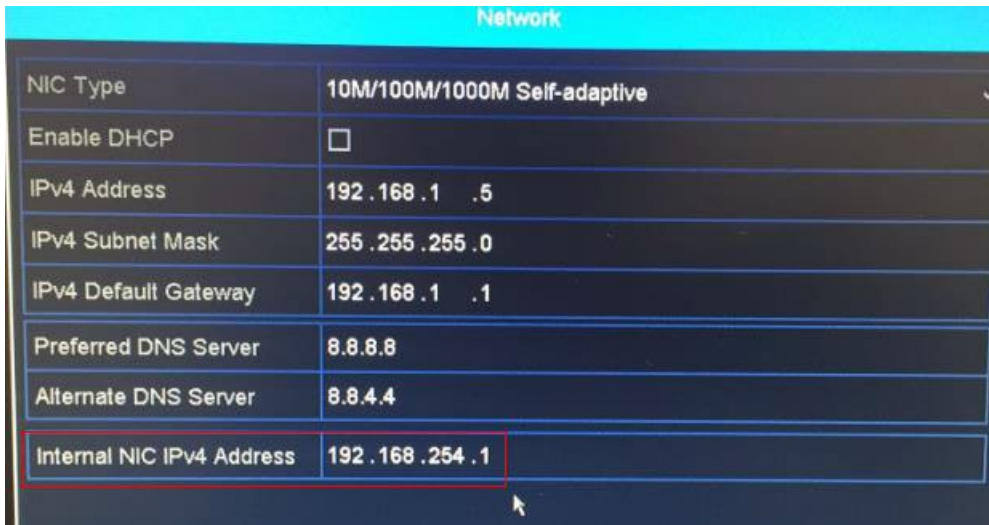
The cameras are physical connected to the POE ports of the NVR

Procedures:

1. Connect the cameras and laptop/PC to the POE ports at the back panel of the NVR (not the LAN/Internet port). See image below.



2. Make sure that the cameras' IP addresses and the Internal NIC IPv4 address of the NVR are on the same IP address range. First, check the Internal NIC IPv4 address on the NVR. [Menu > Home > Network](#)



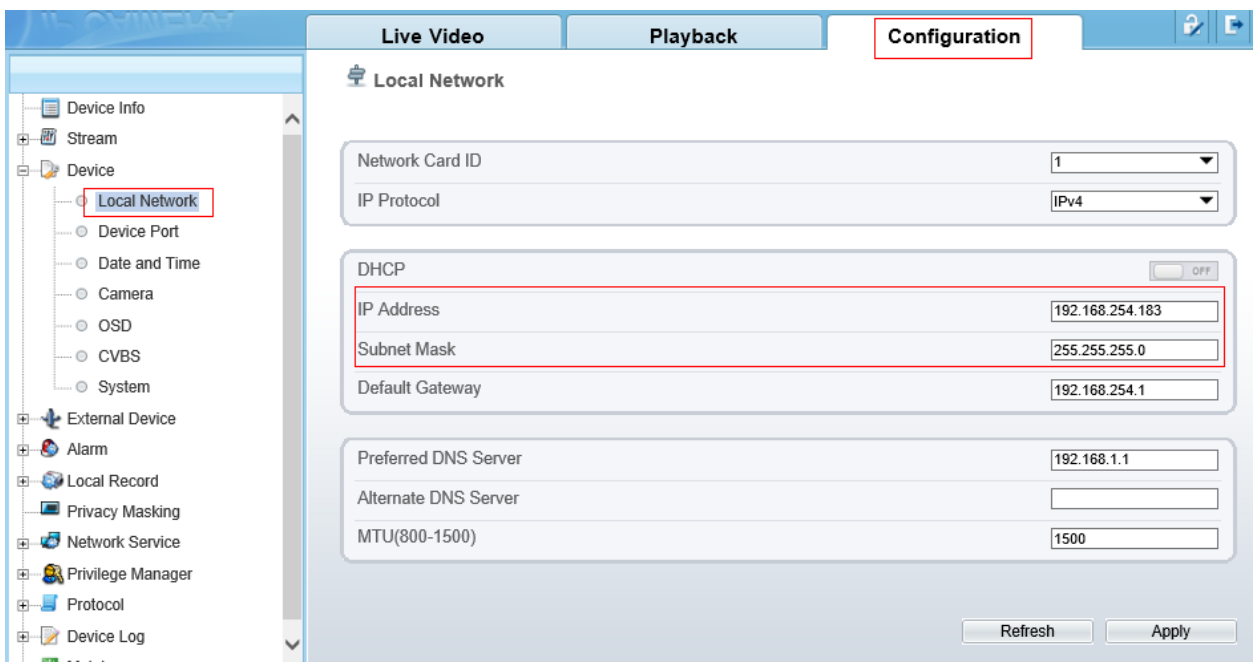
For example:

- The Internal NIC IPv4 Address of the NVR is **192.168.254.1** and subnet mask is **255.255.255.0**.
- Then, cameras' IP addresses should be changed to **192.168.254.x** and **255.255.255.0** accordingly.

3. You can change the IP address of the camera using a web browser or the IP Search Tool.

WEB BROWSER

- [1] Log in to each camera's web UI using a web browser. The default IP address is 192.168.1.64.
- [2] Go to **Configuration > Local Network**
- [3] Change the **IP Address** to the same IP range as the Internal NIC IPV4 address of the NVR.
- [4] Subnet mask is 255.255.255.0



IP Search Tool

- You can download the IP Search Tool here:
https://www.wboxtech.com/content/files/product_categories/ip_new_models/IP_Search_Tool.zip
- <https://drive.google.com/open?id=1gtNySOFRRbAT0K1v1LC2-JKhh7jfcEQ->

The IP Search Tool can modify the IP addresses of the cameras by batch. For example, in the picture below, the six cameras' IP addresses will be changed to 192.168.254.1 to 192.168.254.6 in order.

7 Devices are searched

ALL NVR IPC DVR Online

Device ID	Port	IP	software Version
FFFE56	30001	169.254.	3.5.0813.1003.3.0.08.0.0_20180413
000006	30032	169.254.	3.4.0701.1003.3.0.99.0.0
1800DF	30001	169.254.	3.5.0804.1003.6.1.27.4.5
125665	30001	169.254.	3.5.0804.1003.3.0.29.2.0.P
08CF23	30001	169.254.	3.4.0801.1003.3.0.102.0.0
AAAAAA	30001	169.254.	2.0.0801.1002.66.2.62.2.3
084BBC	30009	169.254.	.15.003.015

Modify IP

Mode: Static DHCP

IP: 192 . 168 . 254 . 1

The same ip

Subnet mask: 255 . 255 . 255 . 0

Gateway: 192 . 168 . 254 . 254

select the number of devices: 6

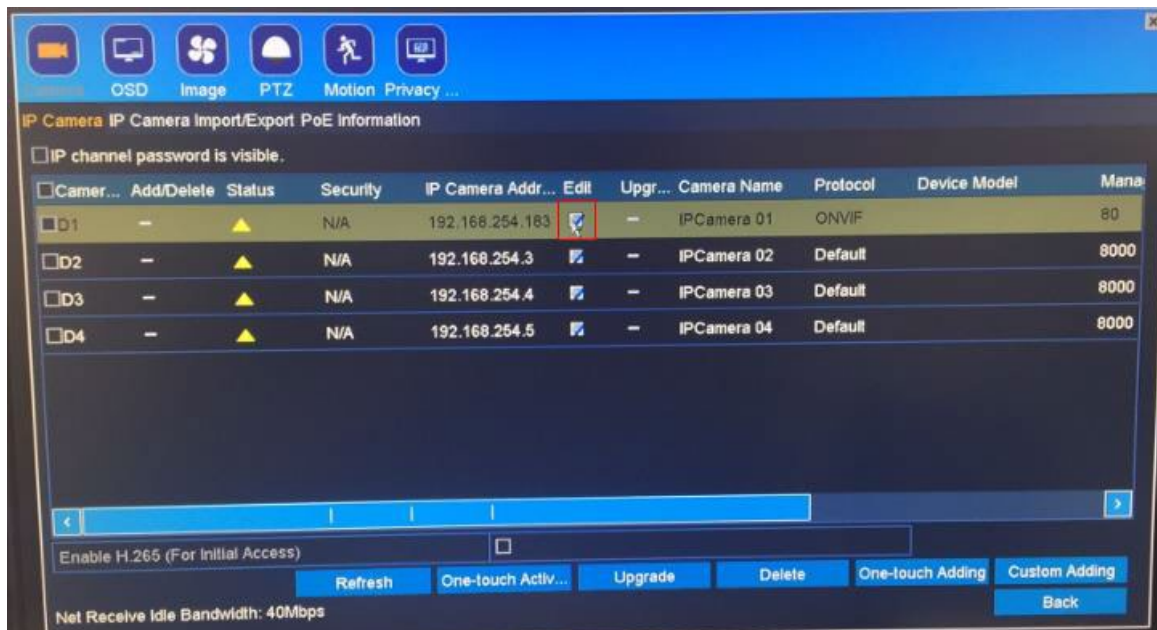
OK

Automatic Manual

Modify ip 6 devices are selected

- [1] On the **IP Search Tool**, tick the cameras that you would like to modify.
- [2] Click **Modify IP**.
- [3] Choose **Static IP**.
- [4] On the **IP** field, input the IP address following the IP address range of the Internal NIC address of the NVR.
- [5] On **Subnet mask**, input 255.255.255.0
- [6] On the **Gateway**, input the Internal NIC address of the NVR.
- [7] Click **OK**.

4. Log in to the NVR's interface. Go to **Menu > Camera > Camera**.
5. Select **Edit**.

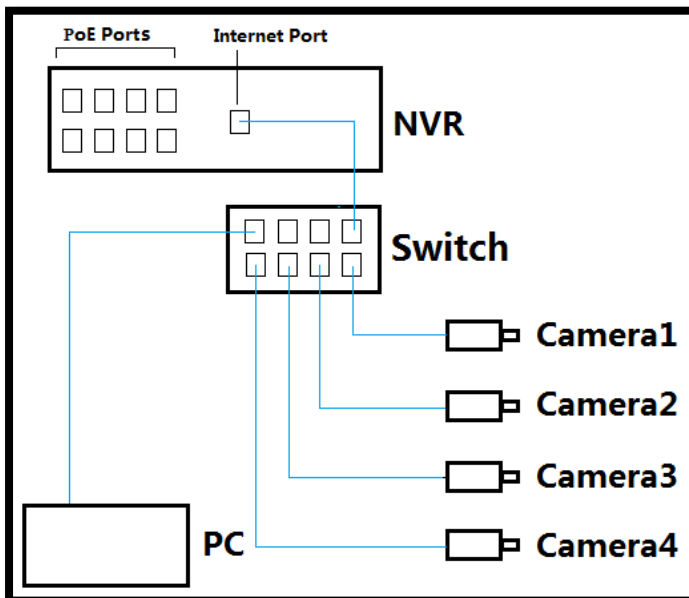


6. Input the following information correctly.
 - Adding Method: **Manual**
 - IP Address: **IP address of the camera**
 - Protocol: **ONVIF**
 - Management Port: **80**
 - User Name: **username of the camera**
 - Admin password: **password of the camera**

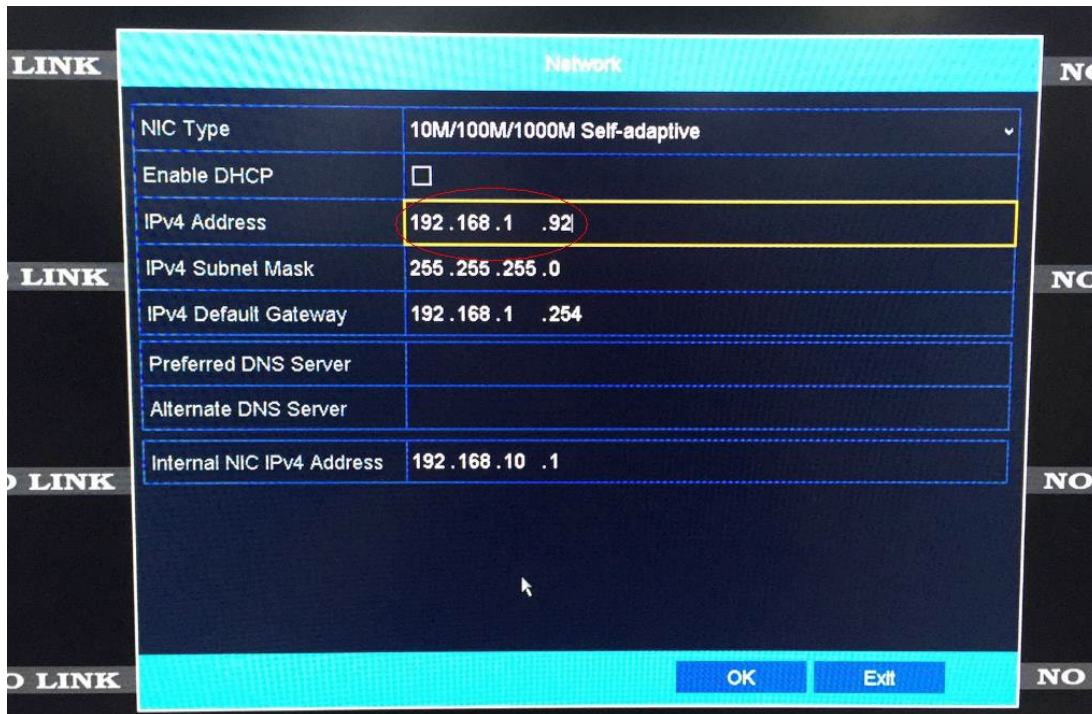
Edit IP Camera	
IP Camera No.	D1
Adding Method	Manual
IP Camera Address	192.168.254.183
Protocol	ONVIF
Management Port	80
Channel Port	1
Transfer Protocol	Auto
User Name	admin
Admin Password	***** I

The cameras are connected to a POE switch or a router

1. Connect the cameras to a POE switch or to a router (if you have a separate power supply for the cameras). Make sure that the NVR is also connected to the same router as the POE switch or the cameras.



2. Make sure that the cameras and the NVR follows the IP range of the router. Check the IPv4 address of the NVR. [Menu > Home > Network](#)



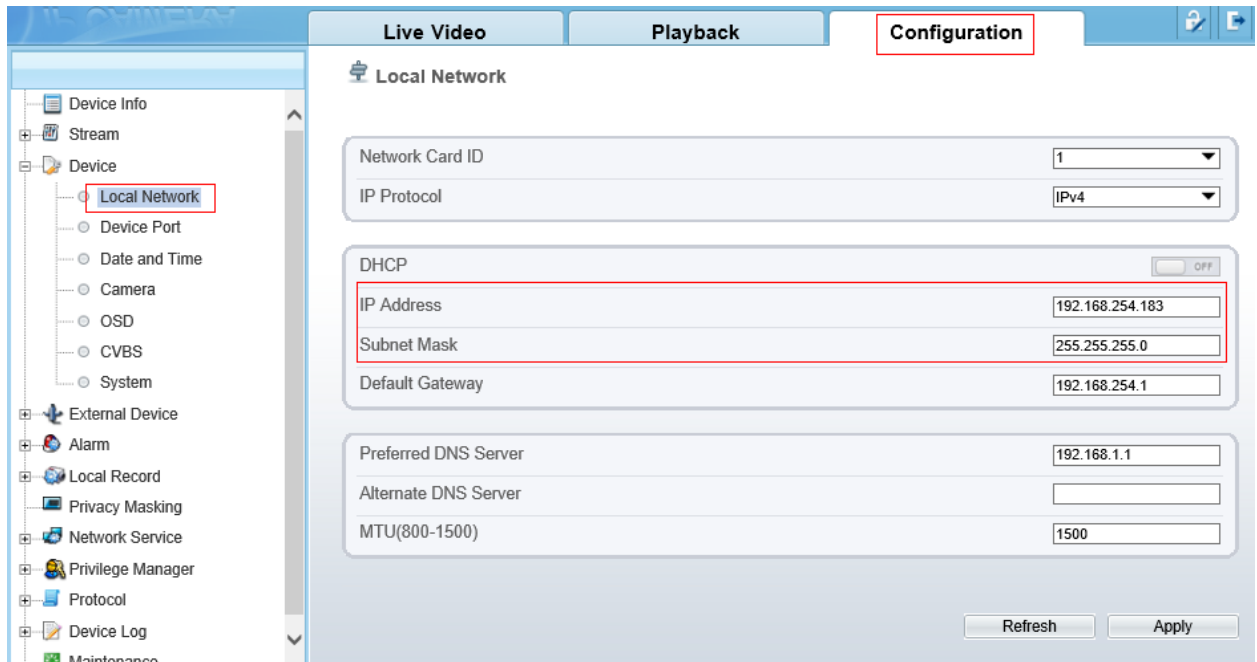
For example:

- The router's default gateway is **192.168.1.254** and subnet mask is **255.255.255.0**.
- The NVRs IPv4 address is **192.168.1.92** and subnet mask is **255.255.255.0**.
- Then, cameras' IP addresses should be changed to **192.168.1.x** and **255.255.255.0** accordingly.

7. You can change the IP address of the cameras using a web browser or the IP Search Tool.

WEB BROWSER

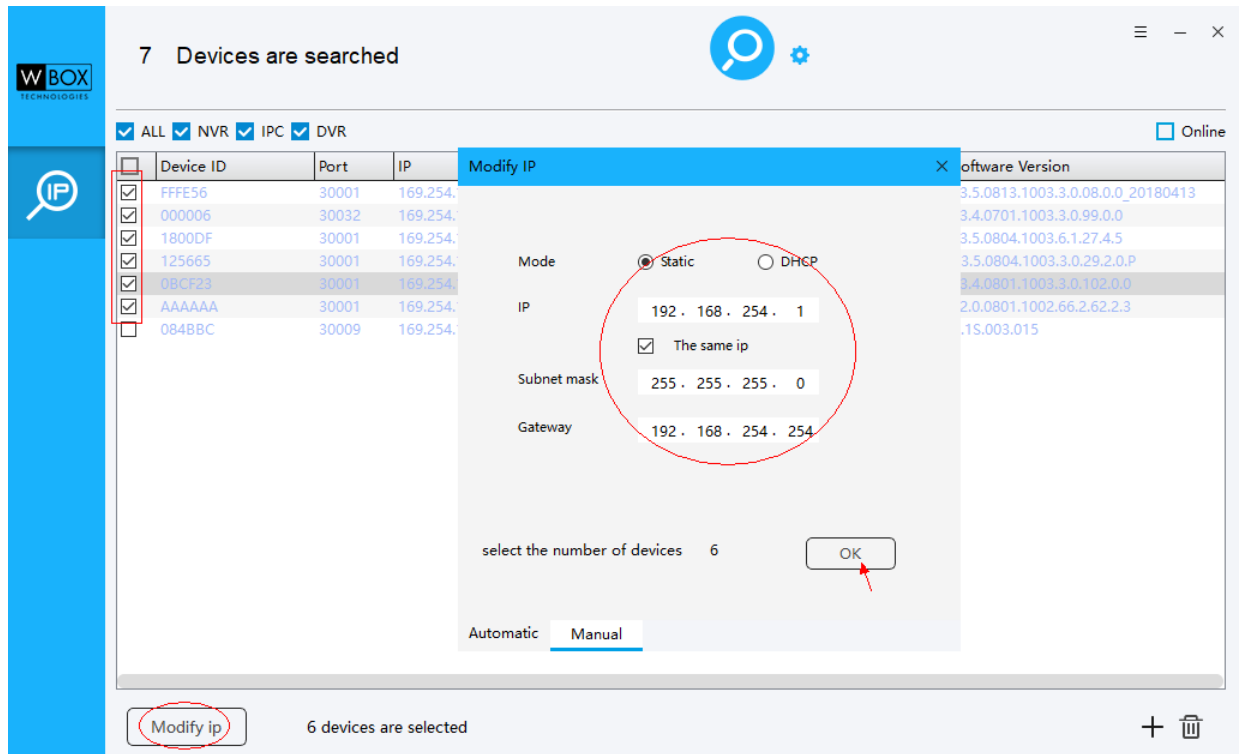
- [1] Log in to the camera's web UI using a web browser. The default IP address is 192.168.1.64.
- [2] Go to **Configuration > Local Network**
- [3] Change the **IP Address** to the same IP range as IPV4 address of the NVR and the router's default gateway.
- [4] Subnet mask is 255.255.255.0



IP Search Tool

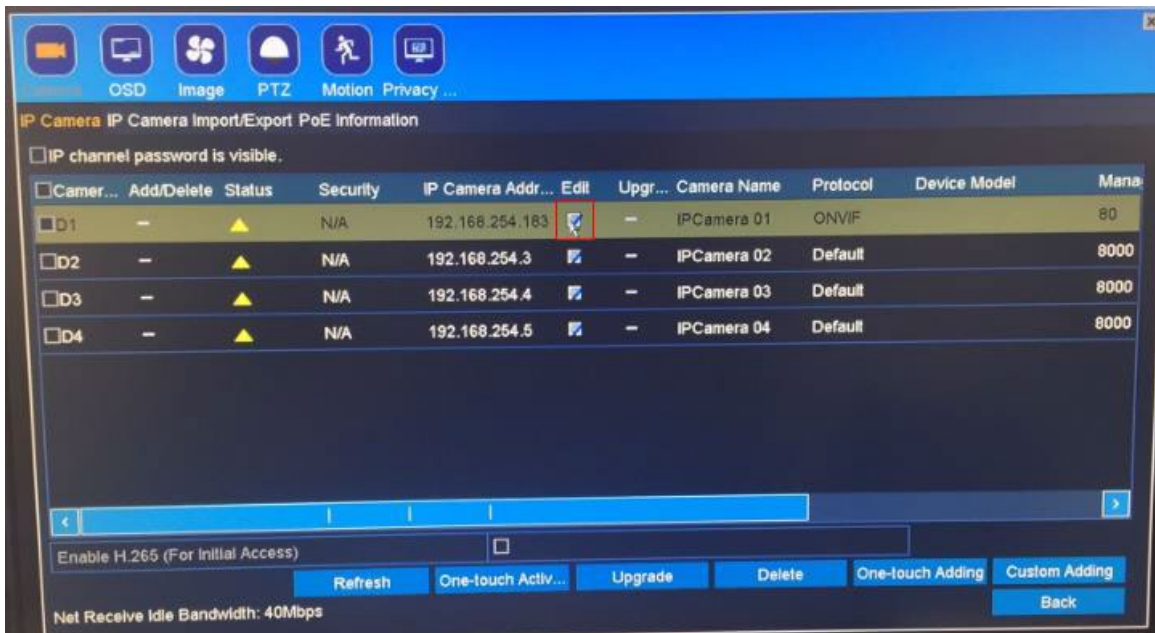
- You can download the IP Search Tool here:
https://www.wboxtech.com/content/files/product_categories/ip_new_models/IP_Search_Tool.zip
- <https://drive.google.com/open?id=1gtNySOFRRbAT0K1v1LC2-JKhh7jfcEQ->

The IP Search Tool can modify the IP addresses of the cameras by batch. For example, in the picture below, the six cameras' IP addresses will be changed to 192.168.254.1 to 192.168.254.6 in order.



- [1] On the **IP Search Tool**, tick the cameras that you would like to modify.
- [2] Click **Modify IP**.
- [3] Choose **Static IP**.
- [4] On the **IP** field, input the IP address following the IP address range of the router's default gateway and the IPV4 Address of the NVR.
- [5] On **Subnet mask**, input 255.255.255.0
- [6] On the **Gateway**, default gateway of the router.
- [7] Click **OK**.

8. Log in to the NVR's interface. Go to **Menu > Camera > Camera**
9. Select **Edit**.



10. Input the following information correctly.

- Adding Method: **Manual**
- IP Address: **IP address of the camera**
- Protocol: **ONVIF**
- Management Port: **80**
- User Name: **username of the camera**
- Admin password: **password of the camera**

