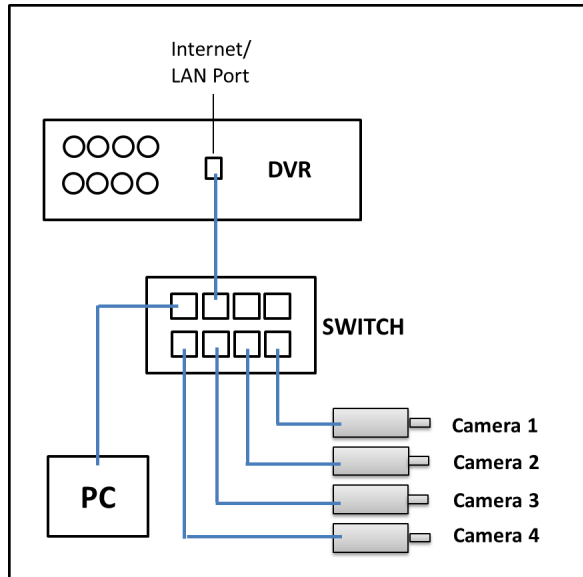


How can I add IP cameras to my Hybrid DVR?

Product Models: **WBXHD041S1T, WBXHD041S, WBXHD082S2T, WBXHD082S, WBXHD162S4T and WBXHD162S.**

Preparation:

1. Make sure that the IP cameras and the DVR are connected on the same network.



2. The IP cameras and the DVR should also follow the same network settings being provided by the router.

See sample network information below:

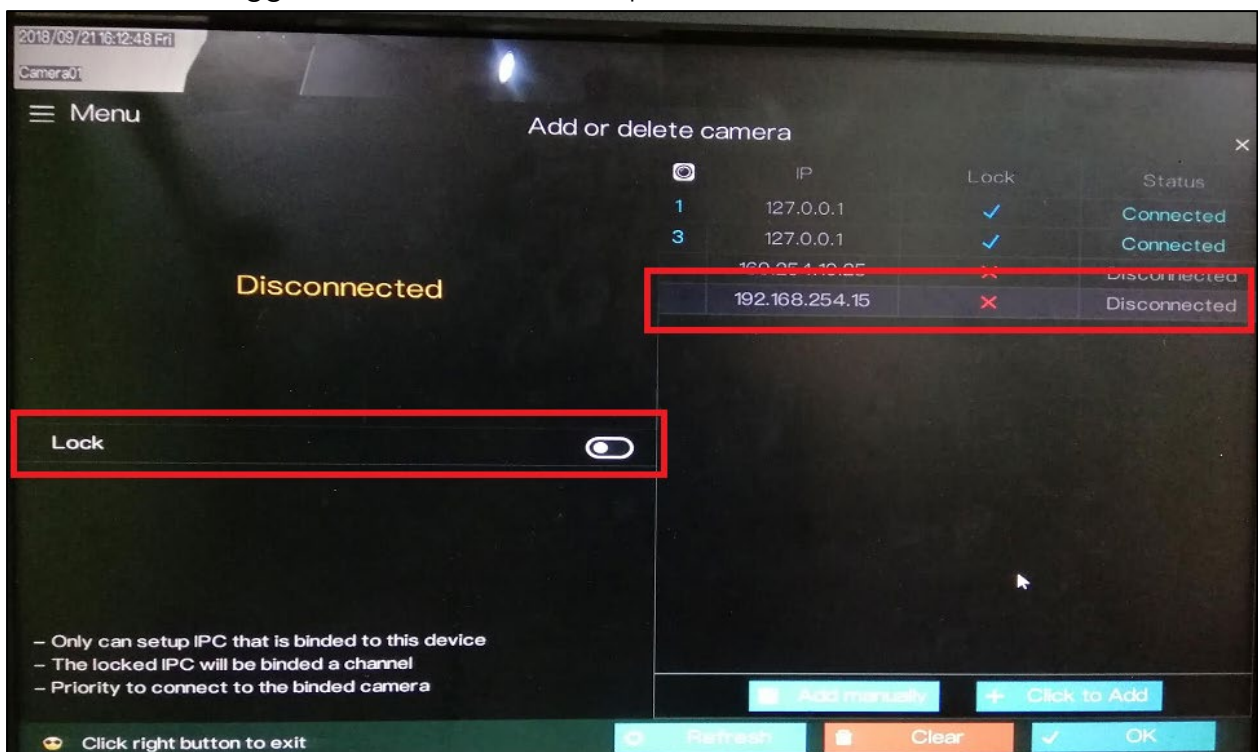
- **Default Gateway:** 192.168.254.254
- **Net Mask:** 255.255.255.0
- **DNS Server 1:** 8.8.8.8
- **DNS Server 2:** 8.8.4.4
- **DVR IP Address:** 192.168.254.14
- **Camera IP Address:** 192.168.254.15

Procedures:

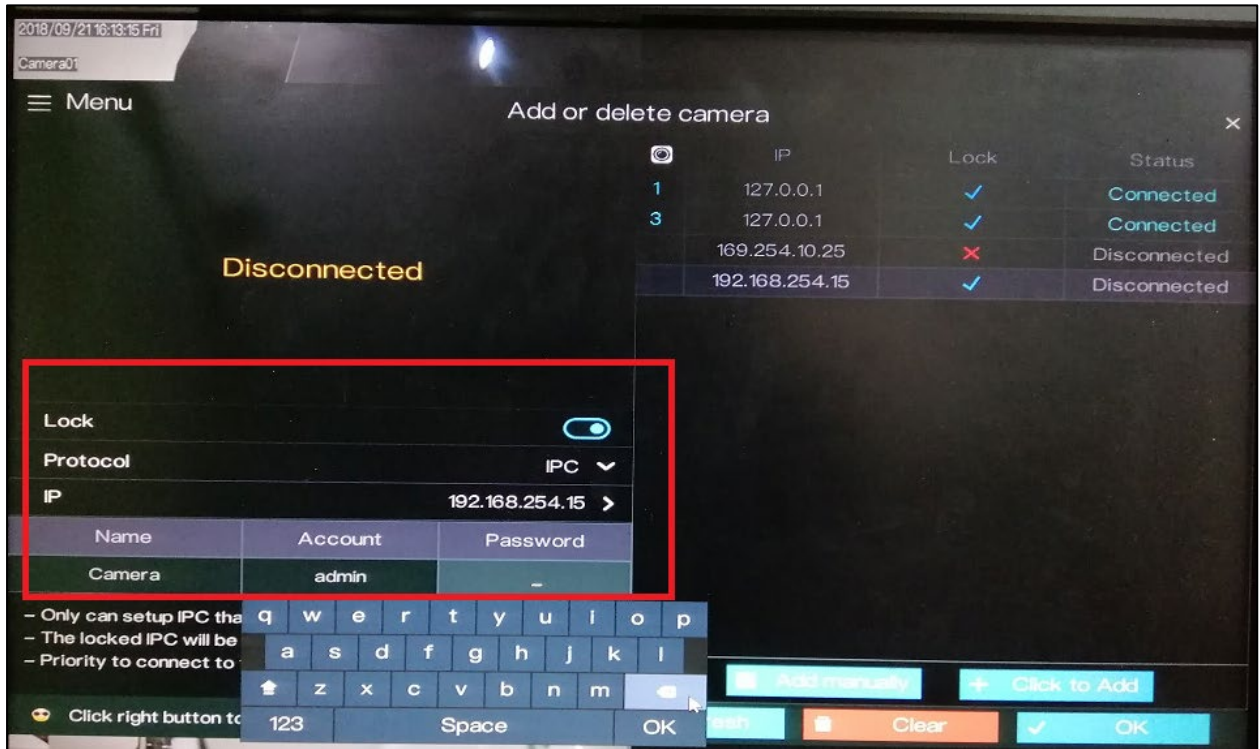
1. On your DVR, do a right-click on your mouse to show the **Menu**. Then, select '**Camera**'.



- On the '**Add or delete camera**' page, click the IP address of the camera you want to add. Then, click the toggle switch on the '**Lock**' option to unlock.



- Once unlock, ensure that you input the correct information of the camera
 - Protocol: IPC
 - IP Address: Check if it detected the correct IP address of the camera
 - Account: Input the username of the camera
 - Password: Input the password of the camera



4. Click 'OK' to save the settings.

